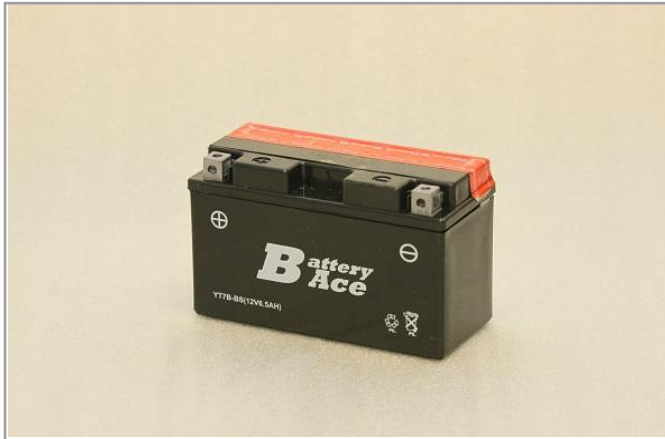
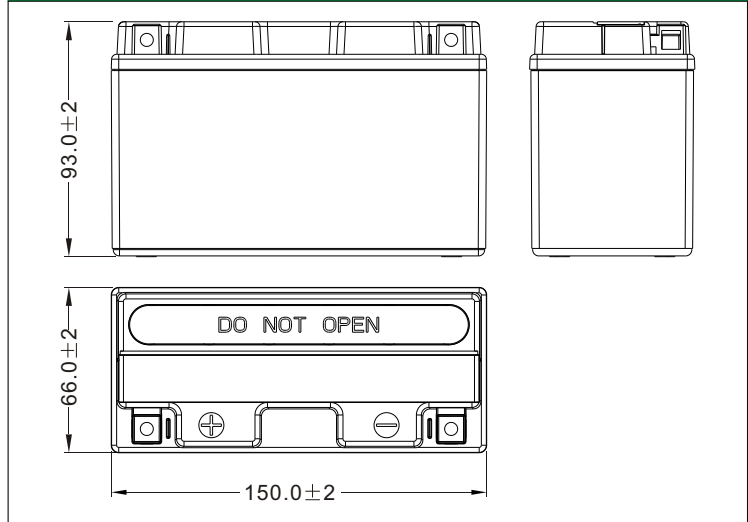


Battery Ace

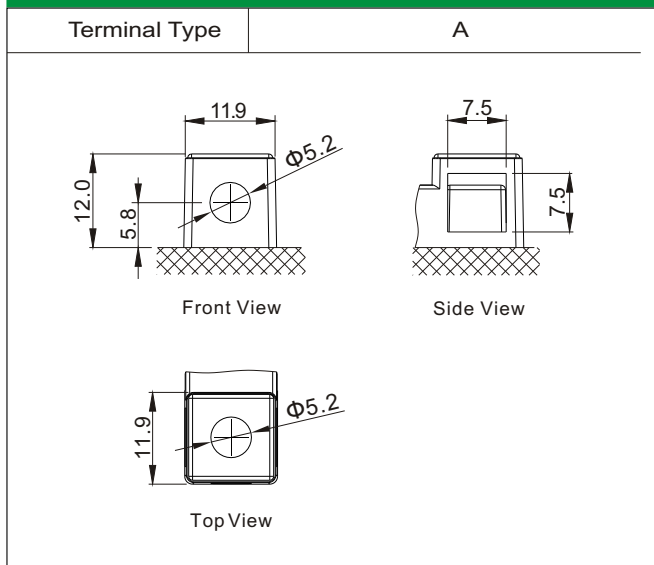
YT7B-BS (12V 6.5Ah)



Dimensions (mm)



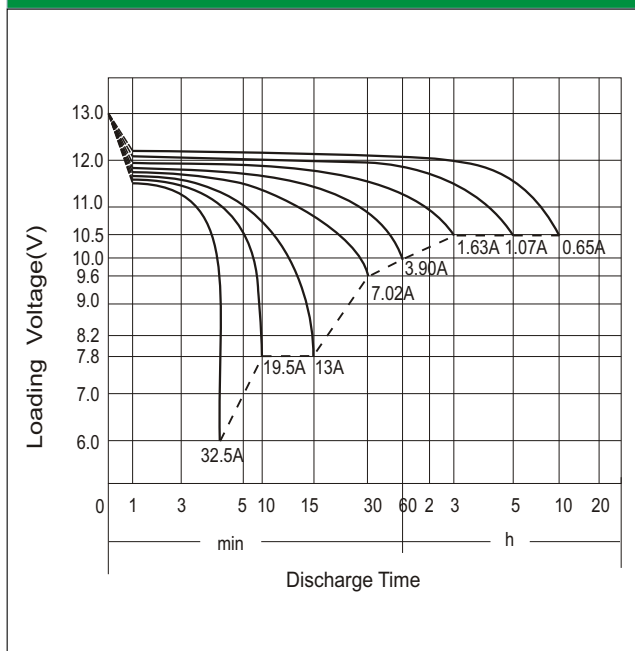
Standard Terminal (mm)



Physical Specification

| | | |
|--|---|-------------------------|
| Nominal Voltage | 12V | |
| Nominal Capacity (10HR) | 6.5AH | |
| Dimension | Length | 150 ± 2mm (5.91 inches) |
| | Width | 66 ± 2mm (2.60 inches) |
| | Container Height | 93 ± 2mm (3.66 inches) |
| | Total Height (with Terminal) | 93 ± 2mm (3.66 inches) |
| Weight | Battery(with acid): Approx 2.37kg (5.22lbs) | |
| | Electrolyte: Approx 0.42kg (0.93lbs) | |
| <ul style="list-style-type: none"> * Sealed and non-spillable AGM battery * Maintenance-free * Powerful 85 cold cranking amps * Shipped pre-charged and ready to install * Replaces /upgrade for EB7B-4 | | |

Discharge Characteristics (25°C, 77°F)



Electrical Specification

| | | |
|----------------------------------|--|--|
| Rated Capacity | 10 hour rate (0.65A) | 6.50AH |
| | 5 hour rate (1.07 A) | 5.33AH |
| | 2 hour rate (2.28 A) | 4.55AH |
| | 1 hour rate (3.90 A) | 3.90AH |
| | 0.5 hour rate (7.02 A) | 3.51AH |
| Capacity affected by Temperature | 40 °C (104 F) | 106% |
| | 25 °C (77 F) | 100% |
| | 0 °C (32 F) | 86% |
| | -15 °C (5 F) | 65% |
| Self Discharge | Approximately 3% per month (25°C (77°F)) | |
| Charging Methods | Full Charge | Constant-Voltage Charge: Initial charging current: less than 1.95A Voltage: 14.40 V ~ 15.00 V at 25 °C (77 °F) Charging time: 15 ~18h Constant-Current Charge: Charging current: 0.1C ₁₀ =0.65A, when charging voltage up to 14.40V, continue to charge 4h |
| | Floating Charge | No limit on Initial charging current Voltage: 13.50 V ~ 13.80 V at 25 °C (77 °F) |