

CSC Canusa SuperCase

One-piece heat shrinkable casing for foam-in-place pre-insulated pipes

For more than 35 years, Canusa-CPS has been a leading developer and manufacturer of specialty pipeline coatings for the sealing and corrosion protection of pipeline joints and other substrates. Canusa-CPS high performance products are manufactured to the highest quality standards and are available in a number of configurations to accommodate many specific project applications.

Product Description

The Canusa SuperCase - CSC is a heat shrinkable casing for the joint protection of pre-insulated pipes (example: district heating pipes). The CSC combines a crosslinked, high density polyethylene casing with a high shear and peel strength adhesive to provide a high quality, reliable system for protection and sealing of joints. As a result of its design, the ends of the CSC casing preferentially shrink. This innovation makes it perfect for foam-in-place applications.

Features & Benefits

The Strongest Seal Available

The Canusa SuperCase - CSC has been engineered to provide an effective and reliable seal every time. This is achieved by focusing the full strength of the crosslinked shrinkable casing directly onto a high shear and peel strength adhesive. The CSC combines the structural integrity of a tubular product and performance of a hot-melt adhesive which results in excellent resistance to soil stress, chemicals, abrasion, mechanical stress, foaming pressures, temperature cycling effects and pipe movements resulting in a strong and effective long term seal. The CSC also uses special non-crosslinked polyethylene sections to aid during foam hole sealing. These innovations allow field personnel to quickly and easily use conventional equipment and standard techniques to permanently seal foaming holes with weldable plugs.

Easy to Install

The Canusa SuperCase - CSC can be installed using standard propane torches. As a result of its crosslinked polyethylene backing, the casing can withstand the heat involved with shrinking without suffering damage or



burning. Also, the CSC can be stored and transported without risk of damage, even at high temperatures (up to 80°C). The CSC will retain its shape over the lifetime of the pre-insulated pipe system.

Reduces Installation Time per Joint

The Canusa SuperCase - CSC is a crosslinked, tubular, heat-shrinkable product with unique non-crosslinked polyethylene enhancements. As a result of its unique design, the extra field step of shrinking additional sleeves on the ends of a non-crosslinked casing to ensure a proper seal is eliminated. This allows the pipe to be buried directly after foaming, resulting in greatly reduced installation times. Furthermore, the installation can be done more consistently with the assurance of a quality joint every time. To double seal the joint, if required, installation of Canusa Superseal™ heat shrink sleeves over the ends of the casing (instead of air pressure testing) is possible.

Assured Performance

The Canusa SuperCase - CSC meets and exceeds the stringent requirements of the European Standard, EN489 for District Heating products. The CSC withstands stringent soil box tests and high pressure and water impermeability tests. The CSC has been fully EN489 tested and approved by FFI (Fernwarme-Forschungs Institut in Hannover, Germany).

Applications



Pre-Insulated Pipes



Foam-In-Place

Configurations



Tubular

Pipe Sizes



63 - 1200 mm

Approvals



EN 489

Features & Benefits for CSC 90 - CSC 1200

2-Layer PE Design

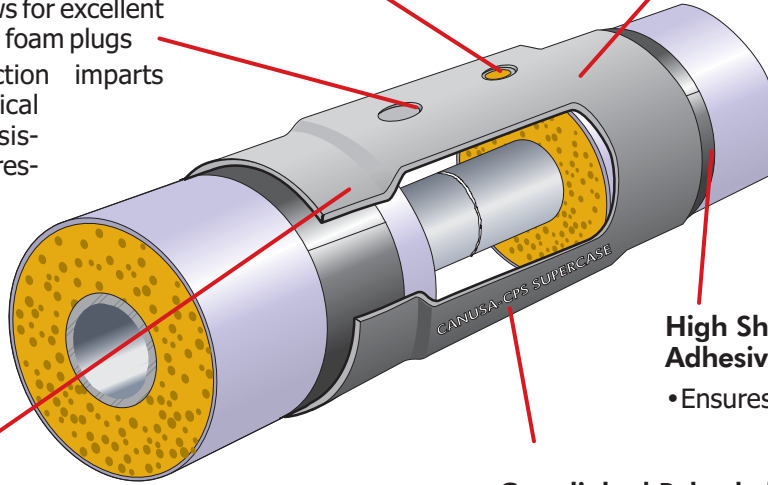
- Non-crosslinked inner sheet in the middle section allows for excellent welding of weldable foam plugs
- Thick middle section imparts excellent mechanical strength and resistance to foam pressures
- Together with optional Canusa Foam Seals (CFS), assures watertight seal

Foam-In-Place

- Specially designed to allow complete foam fill

One-Piece Casing with Shrinkable Ends

- Eliminates the need to install additional shrink sleeves
- Saves on installation time
- Reduces inventory



High Shear and Peel Strength Adhesive

- Ensures strong, watertight seal

Tapered Ends

- Fast and uniform shrinking
- Preferential shrink zones
- Reduces profile, providing excellent soil stress resistance
- Optimizes heat transfer to sealing adhesive
- Reduces installation time and pre-heat requirements
- Reduces cooling down time for air-pressure test and foaming

Crosslinked Polyethylene Material

- Strong impact resistant material
- Retains its shape and high stress over the lifetime of the pipe system
- Excellent heat resistance to sunlight, results in better field handling and does not pre-shrink
- Does not burn during shrinking

System Components and Sizing Guidelines (CSC 90-YYY BK through CSC 1200-YYY BK)

Pipe	CSC Casing						Accessory Materials (Kit)			
	Ordering Info (Casing)	Supplied Size Ø (mm)	Recovered Size (Shrink Zones) Ø (mm)	Supplied Thickness		Supplied Length (mm)	Ordering Info (Kit)	Adhesive	Spacers	TT
				Middle Section (mm)	Shrink Zones (mm)			Length (mm)	Size (S, M, L, XL)	Length (m)
90	CSC 90-750 BK	103	87	4	2	700	CSC Kit 90	2 x 315	2 x S	--
110	CSC 110-750 BK	125	105	4	2	700	CSC Kit 110	2 x 380	2 x S	--
125	CSC 125-750 BK	140	119	4	2	700	CSC Kit 125	2 x 430	2 x S	--
140	CSC 140-750 BK	156	134	4	2	700	CSC Kit 140	2 x 480	2 x S	--
160	CSC 160-750 BK	178	155	4	2	750	CSC Kit 160	2 x 545	4 x S	--
180	CSC 180-750 BK	198	175	4	2	750	CSC Kit 180	2 x 610	4 x S	--
200	CSC 200-750 BK	218	190	4	2	750	CSC Kit 200	2 x 680	4 x S	--
225	CSC 225-750 BK	244	215	4	2	750	CSC Kit 225	2 x 760	4 x M	--
250	CSC 250-750 BK	270	235	4	2	750	CSC Kit 250	2 x 845	4 x M	--
280	CSC 280-750 BK	300	260	4	2	750	CSC Kit 280	2 x 940	4 x M	--
315	CSC 315-750 BK	335	285	4	2	750	CSC Kit 315	2 x 1055	4 x M	--
355	CSC 355-750 BK	378	320	6	2	750	CSC Kit 355	2 x 1185	4 x L	2 x 5m
400	CSC 400-750 BK	425	360	6	4	750	CSC Kit 400	2 x 1335	4 x L	2 x 5m
450	CSC 450-750 BK	478	405	6	4	750	CSC Kit 450	2 x 1500	4 x L	2 x 5m
500	CSC 500-750 BK	530	440	6	4	750	CSC Kit 500	2 x 1665	4 x L	2 x 5m
520	CSC 520-750 BK	551	460	6	4	750	CSC Kit 520	2 x 1730	4 x L	2 x 5m
560	CSC 560-750 BK	592	490	6	4	750	CSC Kit 560	2 x 1860	4 x L	2 x 5m
630	CSC 630-750 BK	664	550	8	4	750	CSC Kit 630	2 x 2090	4 x L	2 x 5m
710	CSC 710-750 BK	745	610	8	4	750	CSC Kit 710	2 x 2355	4 x L	2 x 5m
800	CSC 800-750 BK	839	680	10	4	750	CSC Kit 800	2 x 2650	4 x L	2 x 5m
860	CSC 860-750 BK	900	730	10	4	750	CSC Kit 860	2 x 2850	4 x L	2 x 5m
900	CSC 900-750 BK	940	760	12	4	750	CSC Kit 900	2 x 2980	4 x L	2 x 5m
1000	CSC 1000-750 BK	1040	840	12	4	750	CSC Kit 1000	2 x 3310	4 x L	4 x 5m
1100	CSC 1100-750 BK	1140	920	12	4	750	CSC Kit 1100	2 x 3635	4 x L	4 x 5m
1200	CSC 1200-750 BK	1244	1000	12	4	750	CSC Kit 1200	2 x 3965	4 x L	4 x 5m
Special Orders										
XXX	CSC XXX-YYY BK					YYY - 600, 700	CSC Kit XXX			

Features & Benefits for CSC 63 - CSC 180 (Alternate Design)

Foam-In-Place

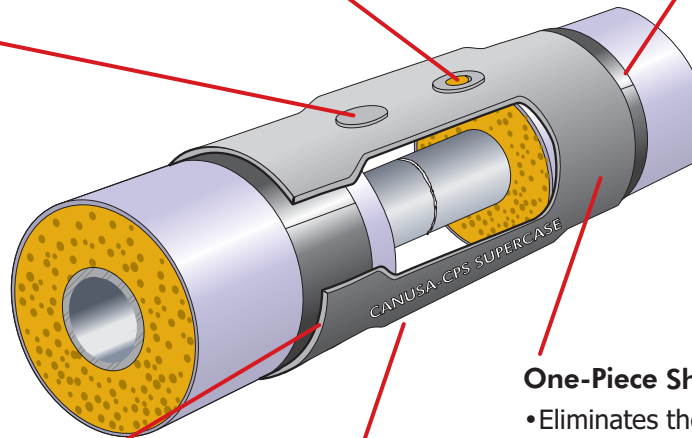
- Specially designed to allow complete foam fill

High Shear and Peel Strength Adhesive

- Ensures strong, watertight seal

Weldable Puck

- Non-crosslinked PE welding puck allows for excellent welding of weldable foam plugs.



One-Piece Shrinkable Casing

- Eliminates the need to install additional shrink sleeves
- Saves on installation time
- Reduces inventory

Bevelled Ends

- Reduces profile, providing excellent soil stress resistance

Crosslinked High Density Polyethylene Material

- Strong impact resistant material
- Retains its shape and high stress over the lifetime of the pipe system
- Excellent heat resistance to sunlight, results in better field handling and does not pre-shrink
- Does not burn during shrinking

System Components and Sizing Guidelines (CSC 63-YYY BK through CSC 180-YYY BK)

Pipe	CSC Casing						Accessory Materials (Kit)			
	Ordering Info (Casing)	Supplied Size Ø (mm)	Recovered Size (Shrink Zones) Ø (mm)	Supplied Thickness		Supplied Length (mm)	Ordering Info (Kit)	Adhesive	Spacers	TT
				Middle Section (mm)	Shrink Zones (mm)			Length (mm)	Size (S, M, L, XL)	Length (m)
63	CSC 63-750 BK	77	63	2	2	700	CSC Kit 63	2 x 225	2 x S	--
75	CSC 75-750 BK	89	75	2	2	700	CSC Kit 75	2 x 265	2 x S	--
90	CSC 90-750 BK	103	87	2	2	700	CSC Kit 90	2 x 315	2 x S	--
110	CSC 110-750 BK	125	105	2	2	700	CSC Kit 110	2 x 380	2 x S	--
125	CSC 125-750 BK	140	119	2	2	700	CSC Kit 125	2 x 430	2 x S	--
140	CSC 140-750 BK	156	134	2	2	700	CSC Kit 140	2 x 480	2 x S	--
160	CSC 160-750 BK	178	155	2	2	700	CSC Kit 160	2 x 545	4 x S	--
180	CSC 180-750 BK	198	175	2	2	700	CSC Kit 180	2 x 610	4 x S	--
Special Orders										
XXX	CSC XXX-YYY BK					YYY - 600, 700	CSC Kit XXX			

XXX = PE Size (mm) YYY = Nominal Casing Width (mm)

* CSC (Alternate Design) is functionally equivalent to the standard CSC design.

Canusa SuperCase

Typical Product Properties

	Test Standard	Unit	Typical Result	
Adhesive	Softening Point	ASTM E28	°C (°F)	80 (176)
	Low Temperature Flexibility	ASTM D2671	°C (°F)	-15 (5)
	Lap Shear @ 23°C	DIN 30672	N/cm ²	90
	Peel to PE @ 23°C	DIN 30672	N/cm (pli)	75 (43)
Backing	Specific Gravity	ASTM D792	--	0.94
	Tensile Strength	ASTM D638	Mpa	27
	Elongation	ASTM D638	%	600
	Water Absorption	ASTM D570	%	< 0.05
	Hardness	ASTM D2240	Shore D	61
Casing	Soil Stress Resistance	EN 489:2009	Pass/Fail	Pass
	Crosslink level	STM2009-001	%	55 +/- 10
	Heat Aging Tensile Strength Retention (150°C, 14 days)	ISO R57	%	95
	Heat Aging Elongation Retention (150°C, 14 days)	ISO R57	%	95

* When peeled with thin heat-shrinkable sleeve backing, peel testing of thick casing material is not practical, nor is it recommended.

How To Order (Dimensions & Ordering Information):

Casing	CSC XXX-YYY BK		CSC Casing Ordering Options	
		Colour ▶	BK - Black	
		Casing Length ▶	YYY - 750 mm	
		PE Pipe Size ▶	XXX - 90 - 1200+ mm	
	Configuration ▶	CSC - Canusa SuperCase Foam in Place Joint Casing System		
Accessories	CSC Kit XXX		CSC Accessory Materials Kit Ordering Options	
		PE Pipe Size ▶	XXX - 90 - 1200+ mm	
		Configuration ▶	CSC Kit - Accessory Kit	
			Accessory Materials and Equipment - Bulk Ordering Options	
		Adhesive Rolls ▶	SA-B 100-ZZ BK	Roll Length (m) ZZ - 15, 120
		Foam Hole Ventilation Plug ▶	FHP-Vent 20	50 pieces
		Foam Hole Weldable Plug ▶	FHP-Weld 35	50 pieces
		Tension Tape Roll ▶	TT-B 60-C	Roll Length (m) C-5, 66
		Plug Welder ▶	Electrically powered plug welder kit	
		Foam Seal ▶	CFS	50 pieces
	Spacers ▶	Small (mm) 25 x 13 x 6	Medium (mm) 38 x 19 x 10	Large (mm) 50 x 25 x 15

* Please consult with your local Canusa-CPS representative for special project requirements.



www.canusacps.com

Canada

CANUSA-CPS
a division of SHAWCOR LTD.
25 Bethridge Road
Toronto, Ontario
M9W 1M7,
Canada
Tel: +1 (416) 743-7111
Fax: +1 (416) 743-5927

U.S.A./Latin America

CANUSA-CPS
a division of SHAWCOR INC.
2408 Timberloch Place
Building C-8
The Woodlands, Texas
77380, U.S.A.
Tel: +1 (281) 367-8866
Fax: +1 (281) 367-4304

Europe/Middle East

CANUSA SYSTEMS
a division of SHAWCOR UK LIMITED
Unit 3, Sterling Park
Gatwick Road
Crawley, West Sussex
England RH10 9QT
Tel: +44 (1293) 541254
Fax: +44 (1293) 541777

Asia/Pacific

CANUSA-CPS
a division of SHAWCOR INC.
#05-31, Blk 52, Frontier
Ubi Avenue 3
Singapore
408867
Tel: +65-6749-8918
Fax: +65-6749-8919

Canusa warrants that the product conforms to its chemical and physical description and is appropriate for the use stated on the installation guide when used in compliance with Canusa's written instructions. Since many installation factors are beyond our control, the user shall determine the suitability of the products for the intended use and assume all risks and liabilities in connection therewith. Canusa's liability is stated in the standard terms and conditions of sale. Canusa makes no other warranty either expressed or implied. All information contained in this installation guide is to be used as a guide and is subject to change without notice. This installation guide supersedes all previous installation guides on this product. E&OE