



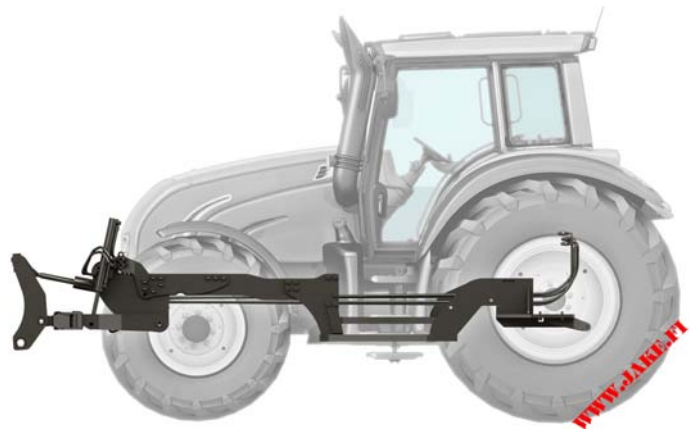
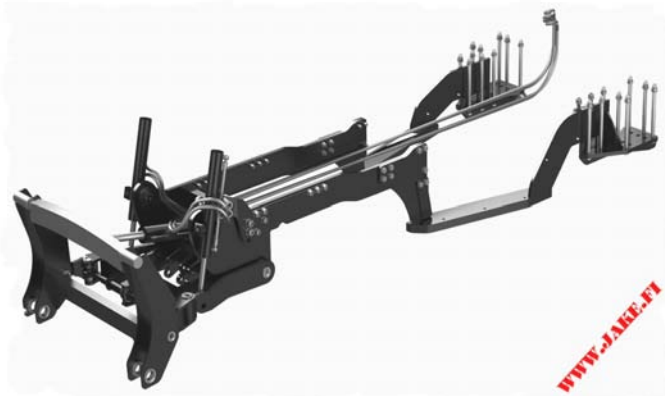
Lappajärvi, Finland

+358 40 566 4018

info@jake.fi

www.jake.fi

JAKE Front Linkage



The main features of the **JAKE** Front Linkage:

- ✓ designed for heavy pushing work as snow work, earth moving, etc.
- ✓ long aid frame to the rear axle strengthens and protects the tractor frame
- ✓ "ladder-build" arm unit endures lateral hits caused by ploughs, blades, etc.
- ✓ adjustable arm width eases connecting various types of 3-point implements
- ✓ double upper link ensures reliability and durability, yet a standard single upper link is also usable
- ✓ short arm unit takes implements closer to the tractor than front linkages usually do, considerably improving the directional stability of the machine
- ✓ small diameter cylinders keep all front linkage joints safe
- ✓ lift force 3000-5000 kg depending on a tractor model
- ✓ **JAKE** Quick Coupler allows a quick attachment connection





Lappajärvi, Finland

+358 40 566 4018

info@jake.fi

www.jake.fi

The **JAKE** Front Linkage provides a durable connection between a tractor and an implement. Choosing the **JAKE** Front Linkage keeps you away from repair shops.



According to professional users, the **JAKE** Front Linkage is the best, if not the only, solution for professional snow work and other heavy pushing work. The **JAKE** Front Linkage is tailored to your needs so you only have to pay for the functions you really need.

