



Lappajärvi, Finland

+358 40 566 4018

info@jake.fi

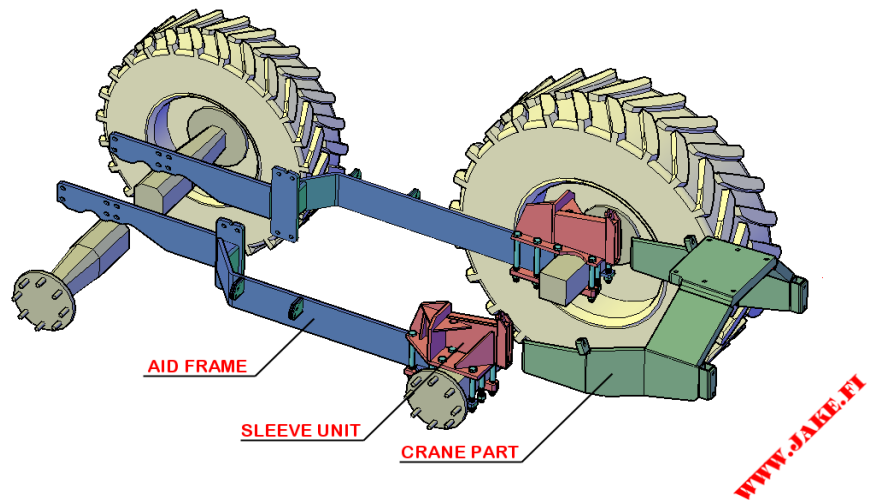
www.jake.fi

# JAKE Mounting kit

The **JAKE** Mounting Kit provides an effective, quick and safe solution to mount a forestry crane, a loading crane or a digger on a tractor. The connection between a tractor and a crane, or a tractor and a digger, is fixed but releasing the tractor for other tasks is still easy and fast.

The **JAKE** Mounting Kit comprises of the **Aid Frame** reinforcing the tractor frame, **Sleeve Units** bolted on the top of the rear axle and the **Crane Part** mounted to the crane or to the digger.

The **JAKE** set includes all necessary parts and bolts so that a customer can install the **JAKE** Mounting Kit even by himself.



## JAKE 350, 350 HD, 354 HD

- for 3-point fastened cranes

## JAKE 600, 800, 900, 804, 904

- for flange fastened cranes

## JAKE 800 LC, 900 LC, 804 LC, 904 LC

- for truck mounted loading cranes

## JAKE 350 DG, 350 DGHD, 354 DGHD

- for diggers

