



Lappajärvi, Finland

+358 40 566 4018

info@jake.fi

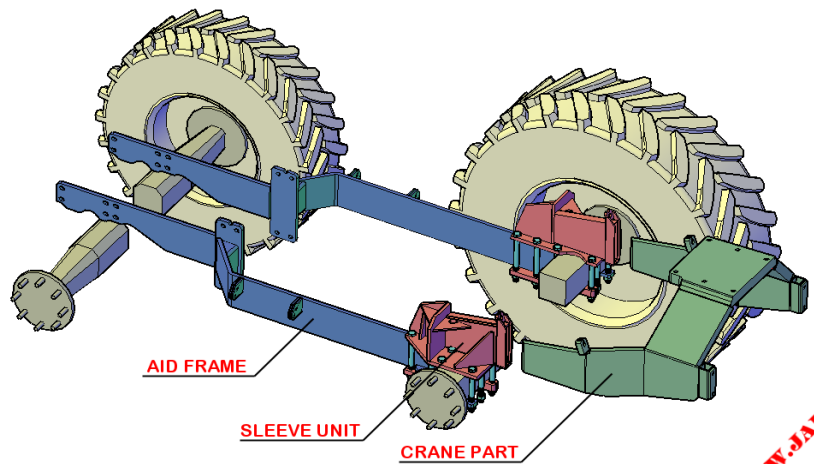
www.jake.fi

JAKE Mounting kit

The **JAKE** Mounting Kit provides an effective, quick and safe solution to mount a forestry crane, a loading crane or a digger on a tractor. The connection between a tractor and a crane, or a tractor and a digger, is fixed but releasing the tractor for other tasks is still easy and fast.

The **JAKE** Mounting Kit comprises of the **Aid Frame** reinforcing the tractor frame, **Sleeve Units** bolted on the top of the rear axle and the **Crane Part** mounted to the crane or to the digger.

The **JAKE** set includes all necessary parts and bolts so that a customer can install the **JAKE** Mounting Kit even by himself.



WWW.JAKE.FI



WWW.JAKE.FI

- **JAKE 350, 350 HD, 354 HD**
for 3-point fastened cranes
- **JAKE 600, 800, 804, 800 Tilt, 804 Tilt**
for flange fastened cranes
- **JAKE 800 LC, 804 LC**
for truck mounted loading cranes
- **JAKE 350 DG, 350 DGHD, 354 DGHD**
for diggers



WWW.JAKE.FI



WWW.JAKE.FI



WWW.JAKE.FI