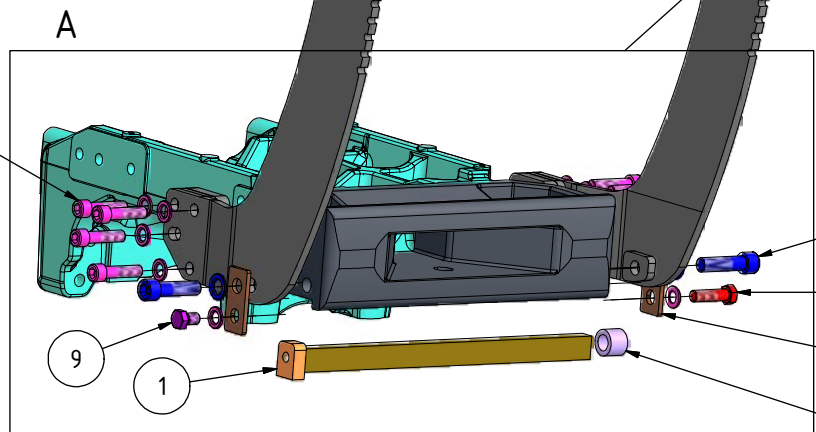
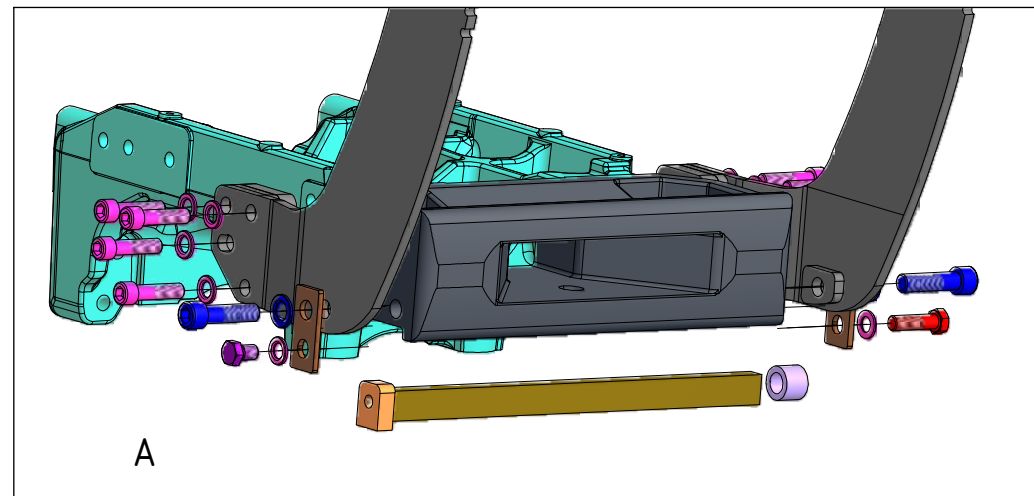
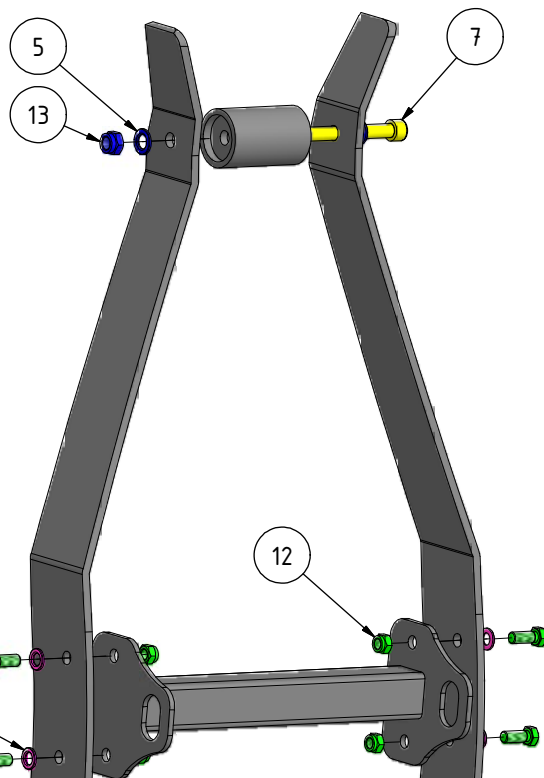


Jos etupainot, niin Pos 1 on hitsattava painosarjan poikittaistangon toiseen päähän asennuksen yhteydessä.

If extra weight set, part 1 must be welded on-site to the one end of the steel bar of the weight set.



ITEM	QTY	PART NUMBER	DESCRIPTION	COLOR
1	1		Lug	Orange
2	1		Sleeve	Lavender
3	2		Mounting Plate	Brown
4	14	DIN 6916 - 21	Washer	Magenta
5	4	DIN 6916 - 25	Washer	Blue
6	8	DIN 912 - M20 x 80	Cylinder Head Cap Screw (12.9)	Magenta
7	1	DIN 912 - M24 x 240	Cylinder Head Cap Screw (12.9)	Yellow
8	2	DIN 912 - M24 x 90	Cylinder Head Cap Screw (12.9)	Blue
9	1	DIN 933 - M20 x 30	Kuusiokantaruuvi	Violet
10	4	DIN 933 - M20 x 50	Hex-Head Bolt	Green
11	1	DIN 931 - M20 x 70	Hex-Head Bolt	Red
12	4	DIN 985 - M20	Hex Nut	Green
13	3	DIN 985 - M24	Hex Nut	Blue

<b>JAKE</b>				www.jake.fi	
		Date	Name		
Drawn		Boom support		Valtra N101-141	
Checked	31.3.2010				
Standard					
				1	
State		Changes	Date	Name	A3