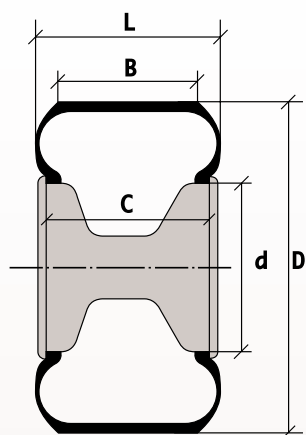


VEGA



HIGH TECHNOLOGY
IN KARTING TYRES



CODE	WE40	WE50
Omologazione/homologation	CSAI	CSAI
Misure/Size	10X4.00-5	11X5.00-5
Durezza/Hardness Shore A \pm 6	40	40
L mm max	98	135
B mm \pm 5	62	105
C mm \pm 2	90	110
d mm $\begin{matrix} +0 \\ -1 \end{matrix}$	126.2	126.2
D mm \pm 6	255	275
Pressione suggerita/ Suggested pressure:	BAR \pm 0.2 PSI \pm 3	1.0 14.5
Pressione massima/ Max pressure:	BAR PSI	4.0 60
Velocità massima/ Max speed:	Km/h Mp/h	150 95
Peso/Weight kg	0.85	1.25



Via Archimede, 10 • 21047 Saronno (VA) - Italy
Tel. 02.96451201 (r.a.) • Fax 02.96451192 • www.vegatyres.com