

HMS LED 15

Digital clock 15 cm

Overall presentation:

- ▶ Indoor or outdoor clocks available in various sizes. High brightness LED.
- ▶ LED colour available: red, white or yellow.
- ▶ Display in hours, minutes and seconds (15 cm).
- ▶ Setting by control pad (2 keys inside the clock) or by wireless remote control 433MHz.
- ▶ Optional radio synchronisation FI, DCF or GPS antenna (absolute time accuracy).
- ▶ Optional time distribution AFNOR, DHF, NTP or PC.
- ▶ Single sided display.



Power supply:

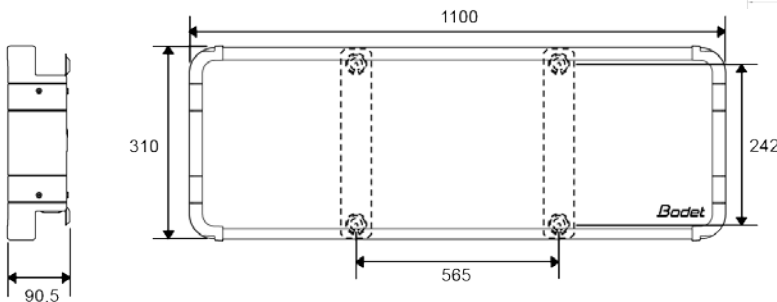
- ▶ Power supply 115V / 230V +/-6% 50/60HZ.

Display:

- ▶ Digit size: 15 cm. Optimal viewing distance 60 metres with a viewing angle of 160°.
- ▶ Display of time, date and temperature, counting / countdown, rate of chlorine, rate of humidity. Fix or alternate (manual input for the rate of chlorine and humidity).
- ▶ Automatic setting of luminosity according to light exposure (sun, cloud or night).
- ▶ Setting of alternation duration (2 to 6 seconds).
- ▶ Time display: 12h or 24 h mode. Automatic summer/winter time changeover.
- ▶ Temperature display in Celsius (°C) or Fahrenheit (°F) from -99° to +99,9°.
- ▶ Selection °C or °F in the menu. Display resolution: 0,1°C. Accuracy: +0,5°C from -10 to +85°C.
- ▶ Offset adjustment, possible from - 9,9° to + 9,9°.
- ▶ Display test menu.
- ▶ NTP transmission mode: multicast only.

Mechanical:

- ▶ Black aluminium casing. Antiglare protection glass. IP54 / IK07.
- ▶ Tropicalized electronic cards.
- ▶ Wall mounted or optional bracket.
- ▶ Weight: 6 Kg.

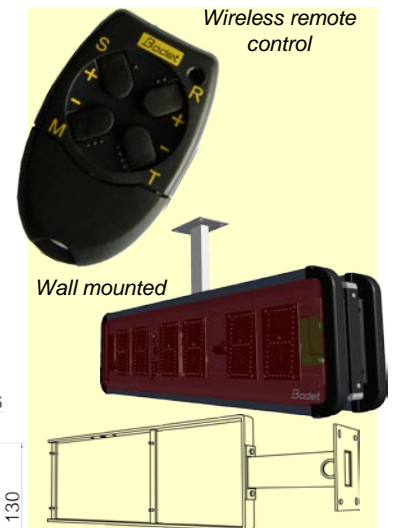


Environment:

- ▶ Operating temperature: -20°C to +50°C.
- ▶ Humidity: 93 % at +40°C.

References:

- | | |
|--|---------|
| ▶ HMS LED 15 cm | 939421* |
| ▶ Wireless remote control | 939040 |
| ▶ FI 162 antenna (with 5 metre cable, for indoor installation) | 907025 |
| ▶ GPS antenna (with 2 metre cable, for outdoor installation) | 907036 |
| ▶ Black double side bracket | 939033 |
| ▶ Temperature probe (with 5m cable) | 935011 |
| ▶ Synchronisation cable kit (to synchronise 2 HMS that are not attached) | 915296 |
- *Add the letter corresponding to the colour: R = red, J = Yellow, W = white.



Synchronisation options :

AFNOR/IMPULSE synchronisation card, ref.: 939051

AFNOR or ½ MN SERIES synchronisation card, ref.: 939056

DHF receiver (with antenna) for HF temperature and DHF time, ref.: 939052

NTP synchronisation card, ref.: 939054

