

STYLE 5S OP

DESCRIPTION

- High luminosity, SMD LED technology for indoor installation.
- Principally used in operating theatres.
- Hours, minutes and seconds display.
- Fixed or alternate time with date or week number display or timer display.
- Height of digits 5 cm, optimal viewing distance: 20 metres.
- Angle of vision: 120°.
- Led colours: red or green.
- Models: independent, impulse, AFNOR and NTP.



NORMS

- Norm NF EN50081-1: generic emission standard.
- Norm NF EN50082-1: generic immunity standard.
- Norm NF EN60950: safety of information technology equipment.

TECHNICAL FEATURES OF THE CLOCK

GENERAL

- **Adjustable brightness**..... 4 levels.
- **Display mode**..... 12 or 24 hour.
- **Eco mode**..... Programmable energy saving over a time period.
- **Time change**..... Automatic summer/winter time changeover and perpetual calendar.
- **Time base backup**.....
 - Independent model: 15 days in case of power failure.
 - Impulse model: data saving and impulses reception without battery in case of power outage.
 - Synchronised models: at each start the clocks wait for the synchronisation signal.
- **Time accuracy**..... 0.2 second/day (except NTP model: precision dependent on the time server).
- **Operation**..... silent.
- **Digit made**..... 7 segments with 3 LEDs each.
- **Hours and minutes separating**..... colon made of LEDs.
- **Configuration**..... 2 capacitive buttons.
- **NTP model**.....
 - Synchronisation unicast, multicast and by DHCP.
 - Advanced configuration from the embedded web server.

MECHANICAL

- **Construction**..... Stainless steel casing (IP54, IK03) and PPMA Poly(methyl methacrylate) cristal.
- **Mounting**..... Flush mounting with 4 holes (screws not provided).
- **Operating temperature range**..... -5 to +55°C.
- **Weight**..... 1.2 Kg.

ELECTRICAL

- **Power supply**.....
 - Independent, impulse and AFNOR models: 100-240VAC ± 10%, 50/60Hz.
 - NTP model: PoE (Power over Ethernet) – class 0.
- **Consumption max**..... 4.5 W.
- **Electric protection (except NTP model)**..... class 2.

STYLE 5S OP REFERENCES



Rouge

946 311



Verte

946 312

Independent model

946 321

946 322

Impulse model

946 351

946 352

AFNOR model

946 371

946 372

NTP model

Add a «K» at the end of the reference to include the control unit.
Ex.: 946 311K => Style 5S OP Independent with control unit – red LED

See the product page
>> www.bodet-time.com <<



Bodet

export@bodet.com

Non contractual document. © 2015, Bodet SA. All rights reserved.

>> www.bodet-time.com <<

TECHNICAL FEATURES OF THE CONTROL UNIT

GENERAL

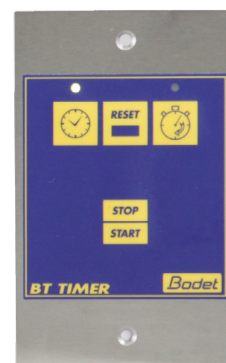
- **Stopwatch**..... hour - minute - second from 0 to 23:59:59.
- **Control unit**..... waterproof control unit with touch sensitive keys for easy cleaning:
 - Time display mode key with LED indicator.
 - Stopwatch display mode key with LED indicator.
 - Start/stop key: successive pressings for start/stop of the stopwatch.
 - Reset key: resetting to zero of the stopwatch.
- **Control**..... up to 10 clocks.

MECHANICAL

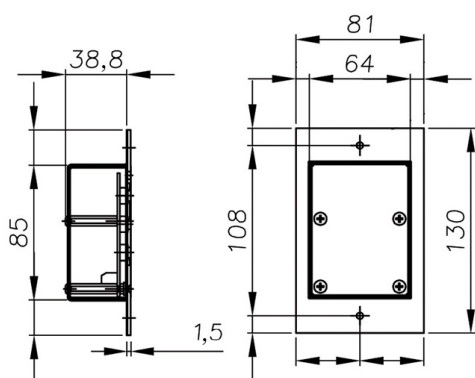
- **Binding**..... flush mounting (screws not provided).
- **Operating temperature**..... 0 to 50°C.
- **Protection index**..... the front face IP 55.
- **Weight**..... 255 g.

ELECTRICAL

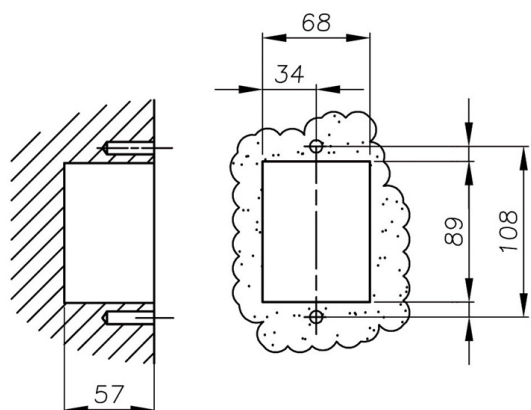
- **Connection**..... 2-pair telephone cable 0.5 mm. Max length: 20 meters.
- **Power supply**..... power by the clock.



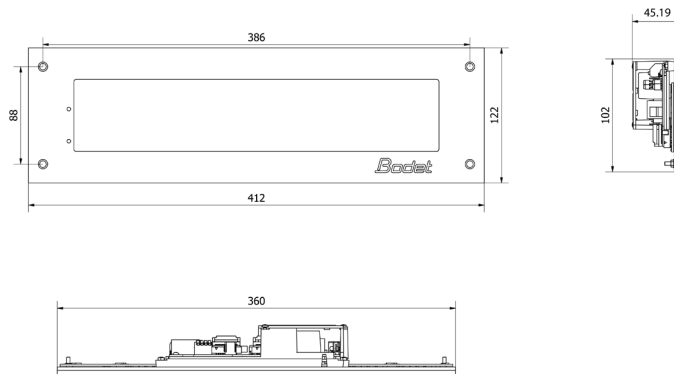
Control unit dimensions*:



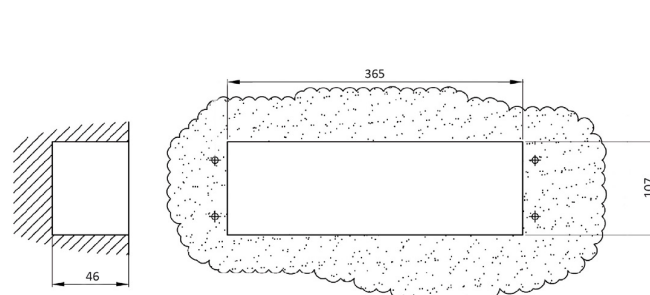
Flush mounting dimensions*:



Clock dimensions*:



Flush mounting dimensions*:



* All dimensions are in millimeters