

DESCRIPTION

- High luminosity, SMD LED technology for indoor installation.
- Hours and minutes display.
- Fixed or alternate time with date or week number display.
- Height of digits 7 cm, optimal viewing distance: 30 metres.
- Angle of vision: 120°.
- Led colours: red, green, yellow, blue and white.
- Models: independent, impulse, wireless (FI+DCF), wireless DHF, AFNOR and NTP.



NORMS

- Norm NF EN50081-1: generic emission standard.
- Norm NF EN50082-1: generic immunity standard.
- Norm NF EN60950: safety of information technology equipment.

GENERAL FEATURES

- **Adjustable brightness**..... 4 levels.
- **Display mode**..... 12 or 24 hour.
- **Eco mode**..... Programmable energy saving over a time period.
- **Time change**..... Automatic summer/winter time changeover and perpetual calendar.
- **Time base backup**.....
 - Independent model: 15 days in case of power failure.
 - Impulse model: data saving and impulses reception without battery in case of power outage.
 - Synchronised models: at each start the clocks wait for the synchronisation signal.
- **Time accuracy**..... 0.2 second/day (except NTP model: precision dependent on the time server).
- **Operation**..... silent.
- **Digit made**..... 7 segments with 4 LEDs each.
- **Hours and minutes separating**..... colon made of LEDs.
- **Configuration**..... 2 capacitive buttons.
- **NTP model**.....
 - Synchronisation unicast, multicast and by DHCP.
 - Advanced configuration from the embedded web server.

MECHANICAL FEATURES

- **Construction**..... PC/ABS black (IP30, IK02) and PPMA Poly(methyl methacrylate) cristal.
- **Operating temperature range**..... -5 to +55°C.
- **Weight**..... 0.4 Kg.
- **Dimensions**..... See on the back.

See the product page
>> www.bodet-time.com <<



ELECTRICAL FEATURES

- **Power supply**.....
 - Independent, impulse, AFNOR and wireless DHF models: 100-240VAC ± 10%, 50/60Hz.
 - Wireless (FI+DCF) model: 230VAC ± 10%, 50/60Hz.
 - NTP model: PoE (Power over Ethernet) – class 0.
- **Consumption max**..... 3 W.
- **Electric protection (except NTP model)**..... class 2.

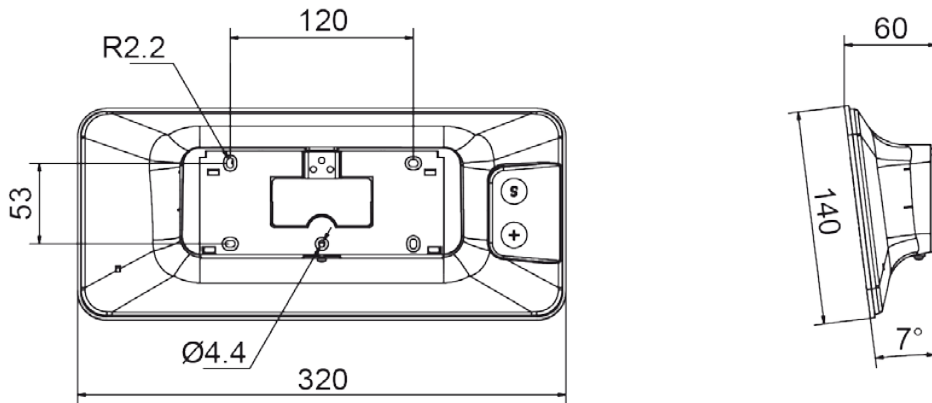
STYLE 7 REFERENCES

- | | |
|---|--|
| • 946 41x..... Independent model | • 946 001..... Mounting on hanging bracket |
| • 946 42x..... Impulse model | • 946 002..... Wall mounting |
| • 946 43x..... France Inter + DCF model | |
| • 946 44x..... DHF model | |
| • 946 45x..... AFNOR model | |
| • 946 47x..... NTP model | |
- Specify the Led colour by replacing the "x" in the reference number by: 1: red - 2: green - 3: yellow - 4: blue - 5: white



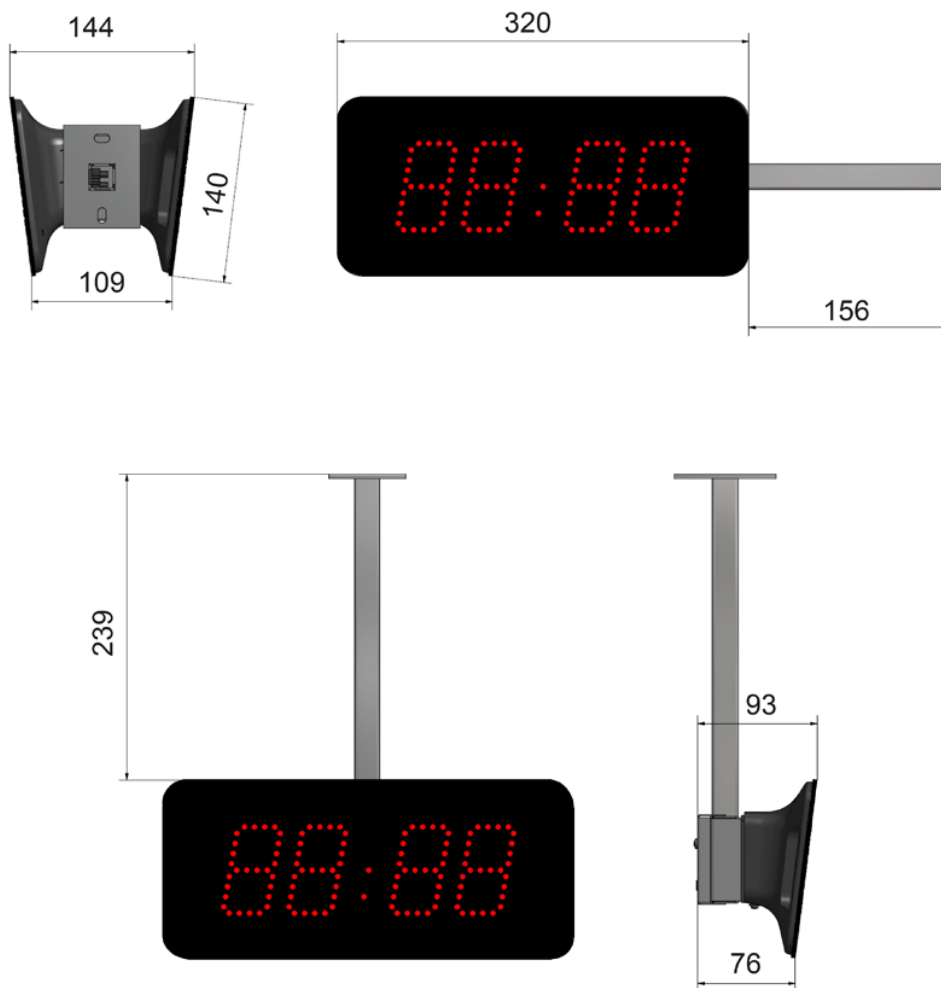
STYLE 7

WALL MOUNTING



MOUNTING ON HANGING BRACKET

- The hanging bracket makes it possible to hang the clock from the ceiling or from the wall.



Dimensions in mm