

## DESCRIPTION

- Multilingual calendar, SMD LED technology for indoor installation.
- Hours, minutes, date, day and week display.
- Height of digits (first line) 10 cm and height of letters (second line) 7cm, optimal viewing distance: 40 metres.
- Angle of vision: 120°.
- LED colours: red, green, yellow, blue and white.
- Models: independent, impulse, wireless DCF, wireless DHF, AFNOR and NTP.



## STANDARDS

- EMC: - EN55032.  
- EN55024.
- LVD: EN60950.
- R&TTE (radio models): EN301-489-3.

## GENERAL FEATURES

- **Adjustable brightness**..... 4 levels.
- **Display mode**..... 12 or 24 hour.
- **Eco mode**..... Programmable energy saving or predefined over a time period.
- **Time change**..... Automatic summer/winter time changeover and perpetual calendar.
- **Time base backup**.....
  - Independent model: 15 days in case of power failure.
  - Impulse model: in case of power failure, data saving and impulses reception without battery.
  - Synchronised models: at each start the clocks wait for the synchronisation signal.
- **Time accuracy**..... 0.2 second/day (except NTP model: precision dependent on the time server).
- **Operation**..... Silent.
- **Digit**..... 7 segments de 5 LEDs each.
- **Hours and minutes separating**..... Colon made of LEDs.
- **Configuration**..... 2 buttons.
- **NTP model**.....
  - Synchronisation unicast, multicast and by DHCP.
  - Advanced configuration from the embedded web server.

See product page on  
>> [www.bodet-time.com](http://www.bodet-time.com) <<

## MECHANICAL FEATURES

- **Construction**..... ABS/PMMA black (IP30, IK02) and PPMA Poly (methyl methacrylate) cristal.
- **Operating temperature range**..... -5 to +55°C.
- **Weight**..... 4 Kg.
- **Dimensions**..... 744 x 326.5 x 78 mm (see on the back).

## ELECTRICAL FEATURES

- **Power supply**.....
  - Independent, impulse, AFNOR and wireless DHF models:100-240VAC.
  - Wireless DCF model: 230VAC.
  - NTP model: PoE (Power over Ethernet) – class 0.
- **Consumption max**..... 9 W.
- **Electric protection (except NTP model)**..... Class 2.

## STYLE 10 DATE REFERENCES (BY SYNCHRONISATION)

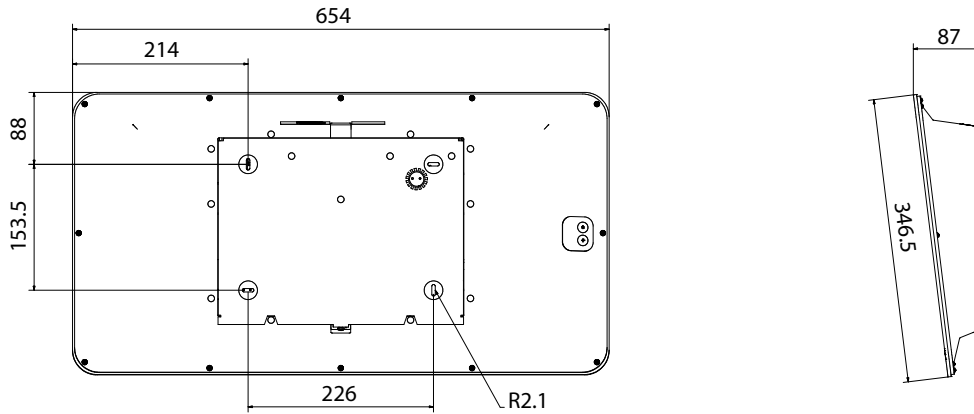
- |                                  |  |
|----------------------------------|--|
| • 946 91x..... Independent model | • 946 007..... Mounting on hanging bracket |
| • 946 92x..... Impulse model     | • 946 008..... Wall mounting               |
| • 946 93x..... DCF model         |  |
| • 946 94x..... DHF model         |  |
| • 946 95x..... AFNOR model       |  |
| • 946 97x..... NTP model         |  |



• Specify the LED colour by replacing the "x" in the reference number by: 1: red - 2: green - 3: yellow - 4: blue - 5: white

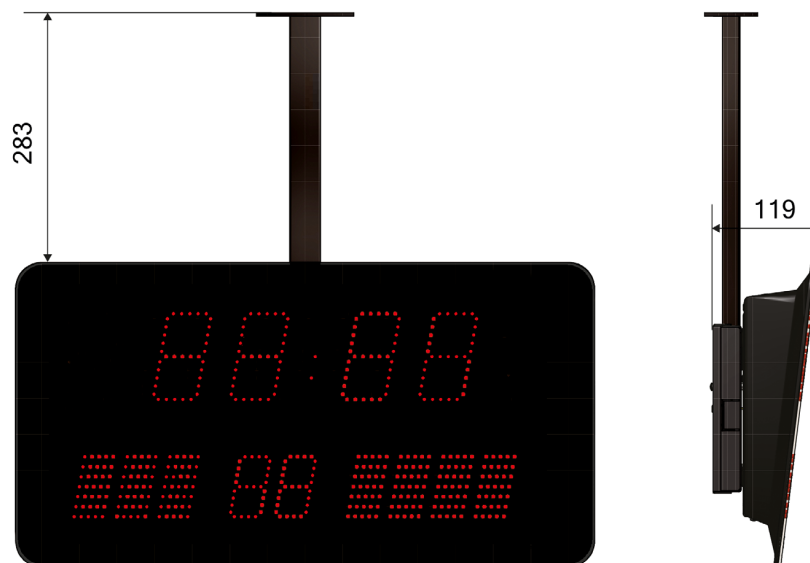
## WALL MOUNTING

Dimensions in mm



## MOUNTING ON HANGING BRACKET

- The hanging bracket makes possible to hang the clock from the ceiling or from the wall.
- Construction: Steel.
- Colour: Black.



Dimensions in mm

Réf.: 643N31C 10/16