



# ARTS PC

The Arts PC is a premium sized, nose mounted theatre chair designed specifically for use with Hussey Seatway theatre quality, telescopic platform systems. The Arts PC chair offers unrivalled comfort for retractable applications. The backrest is the only element to fold into the platform allowing thicker foam to be utilised and greater contouring of both the seat pan and backrest. Arts PC is available with square or waterfall edges and a range of options to customise the chair.

## APPLICATIONS

Arts PC is a comfortable and contemporary platform chair designed for use in Theatres, Black Box studios and Conference venues.

## FEATURES

- 500 to 560mm seat centres
- Preformed birch plywood, seat and back structure with fully contoured upholstery
- Automatic folding armrests
- Spring activated tipping with a fully enclosed, silent stop mechanism
- Solid wood armrests as standard
- Designed for use on Hussey Seatway TP telescopic platforms with a 245mm—300mm row rise
- A fixed version is available to compliment the PC

## OPTIONS

- Seat numbers and row letters
- Seat frame to co-ordinate with chosen fabric
- Show wood seat and back panels
- LED aisle lights

## FINISHES

- Fabric from the Xtreme range by Camira
- Customers own fabric can also be specified
- Metalwork: Satin black powder coat
- Armrests: Solid wood, colour from standard range

## TECHNICAL

For all technical details, please see the reverse side of this specification sheet. CAD drawings available on request. Arts PC upholstery meets BS5852: 1990 (crib 5).



RevNo	Revision note	Date	Signature	Checked
		xx/xx/xx		

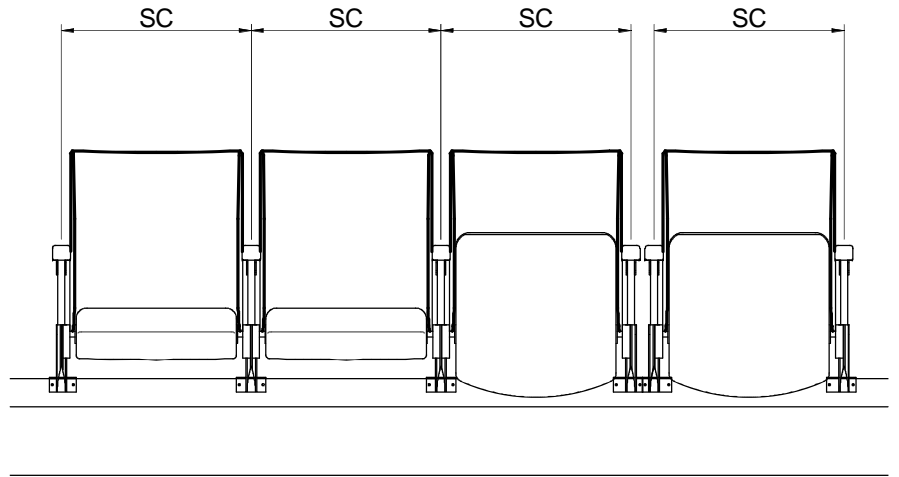
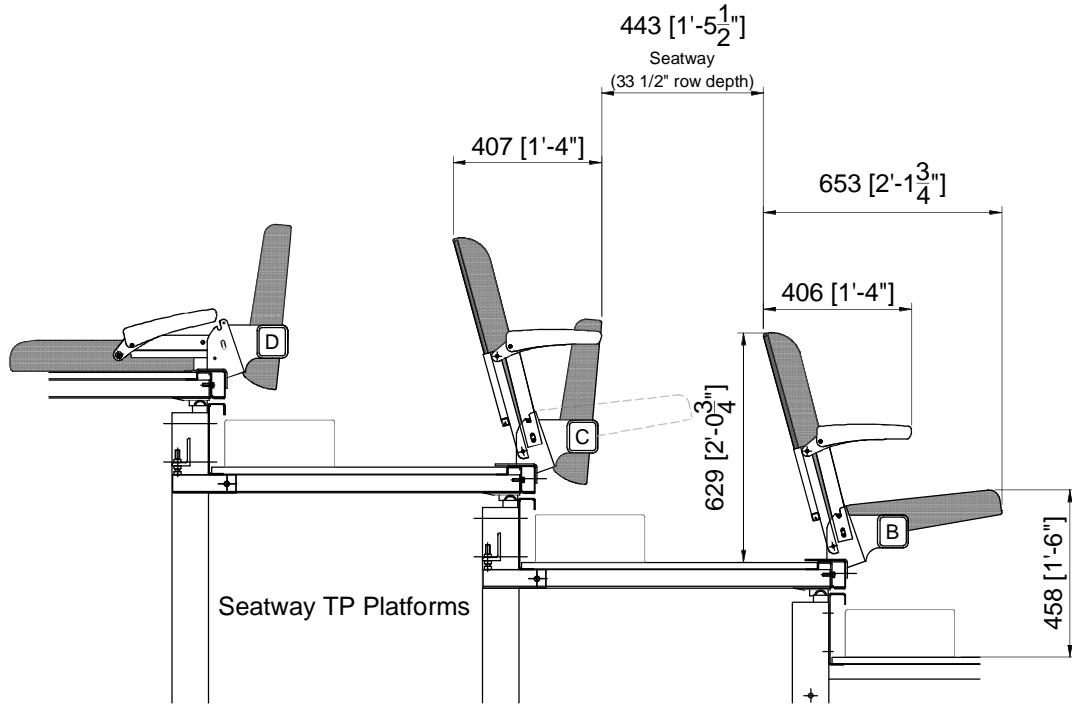
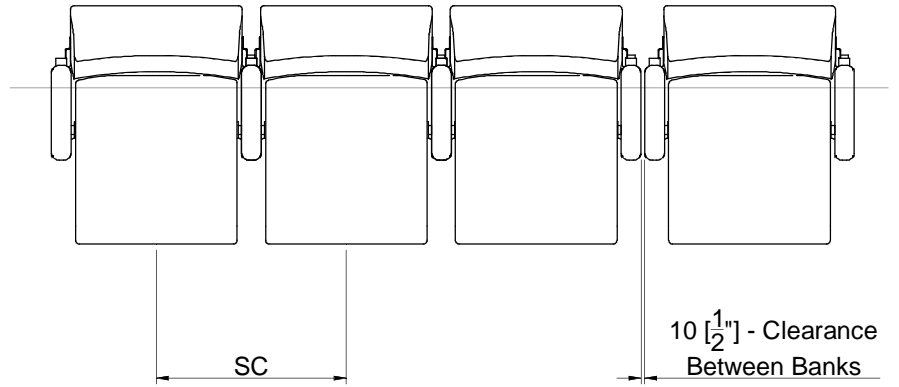
	No Arms	Arms
Min Seat Centre (SC)	N/A	500mm (19 3/4")
Min Row Rise	N/A	260mm (10 1/4")
Max Row Rise	N/A	280mm (11")

**Strength & Stability**

The chair satisfies the requirements of EN 12727:2000.

**Fire Retardency**

The fabric and foam comply with BS 5852:1990 (Source 0, 1, and 5). Other codes or European Standards can be satisfied as required.



GENERAL TOLERANCE  
± 1mm



THIS DRAWING IS THE PROPERTY AND COPYRIGHT OF HUSSEY SEATWAY LTD. COPYING OR REPRODUCTION WITHOUT WRITTEN PERMISSION IS PROHIBITED. ©2014

Tel: +44 (0)1985 847200  
Fax: +44 (0)1985 847300  
Email: info@husseyseatway.com

Itemref	Quantity	Title/Name, designation, material, dimension etc	Article No./Reference			
		<b>Arts NM Chair</b>				
<b>PRODUCT SPECIFICATION LAYOUT</b>			Date 12/09/2014	Drawn by LS	Checked by	A3 Scale 1:15
			Imperial Dims Version		Revision A	Sheet 1/1