



CENTURA

Centura is versatile, durable chair that offers excellent levels of comfort. The modern design incorporates a rail based attachment enabling variable seat spacing's to be achieved. Centura is certified to the highest strength test level (Level 4: severe) allowing it to perform in the most demanding of environments. The product provides excellent value for money and can be easily upgraded with the addition of upholstered pads.

APPLICATIONS

A low maintenance and long lasting chair perfect for use in schools, colleges, sports and multi-purpose halls.

FEATURES

- Multi seat centres from 460mm
- Rail mounting allows equal spacing of seat modules, justification of rows and replacement of complete seat modules in seconds
- Available with or without auto tip armrests
- Upholstered pads can be replaced quickly and economically
- Fully enclosed tipping mechanism that cannot trap fingers or clothing
- Designed for use on telescopic platforms with at least 244mm row rise and 838mm row depth
- Fixed & Flat Floor versions also available

OPTIONS

- Seat numbers and row letters
- Auto-tip polymer or upholstered armrests
- Cup holders
- Integral folding Scribe writing tablets
- Gas struts to dampen the folding action
- Coloured polymer mouldings



FINISHES

- Seat/back: Black (RAL 9004) polymer mouldings
- Fabric from the Xtreme range by Camira
- Customers own choice of fabric can also be specified
- Armrests: polymer or upholstered



TECHNICAL

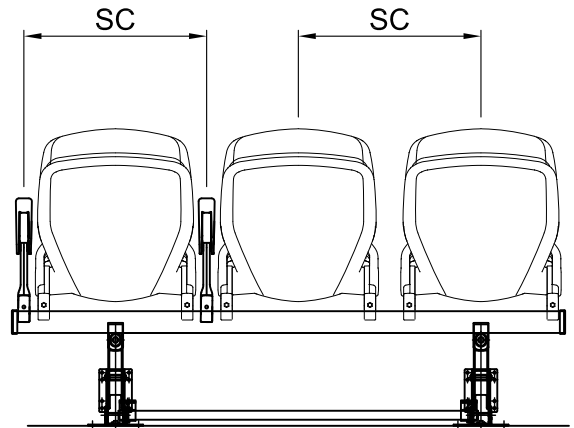
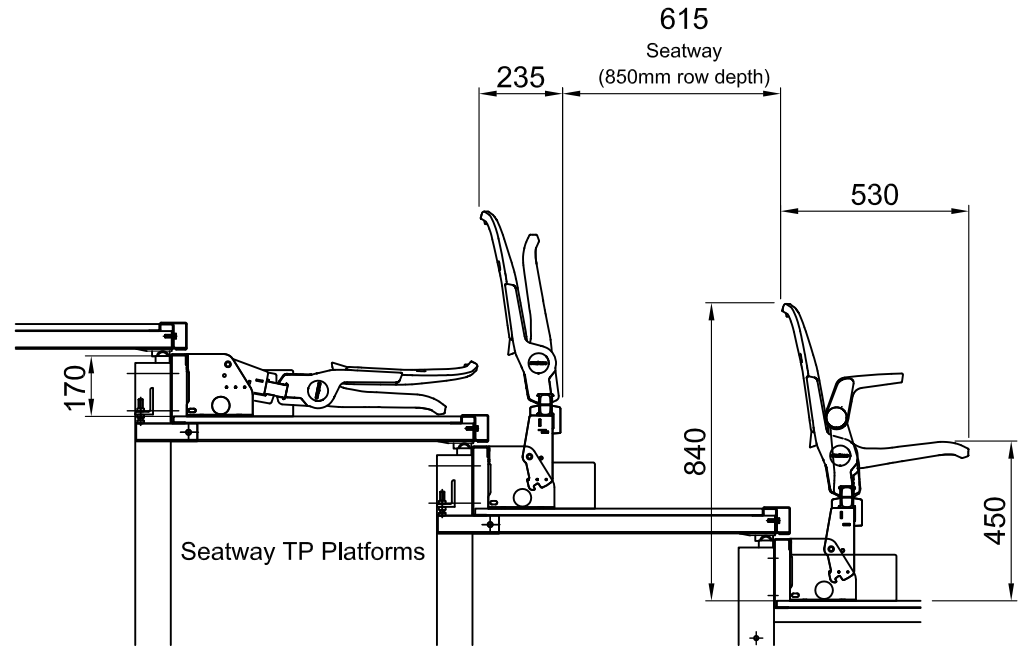
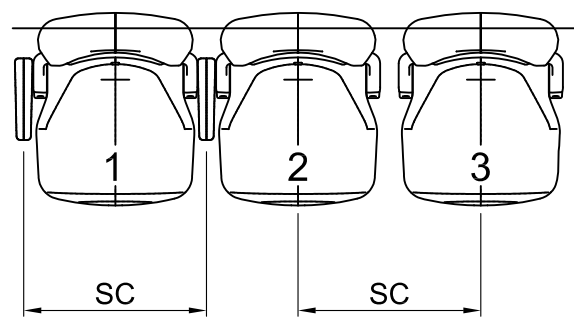
CAD drawings Available on request.
Centura is certified to BS EN 12727 - test level 4.
Centura upholstery meets BS 5852: 1990 (crib 5).

1	2	3	4	5	6	7	8
RevNo	Revision note		Date	Signature	Checked		
			xx/xx/xx				

	No Arms	Arms	Scribe
Min Seat Centre (SC)	460mm	490mm	535mm
Min Row Rise	245mm	245mm	245mm

Strength & Stability
The chair satisfies the requirements of EN 12727:2000.

Fire Retardancy
The fabric and foam comply with BS 5852:1990 (Source 0, 1, and 5). Other codes or European Standards can be satisfied as required.



GENERAL TOLERANCE
± 1 mm



THIS DRAWING IS THE PROPERTY AND COPYRIGHT OF HUSSEY SEATWAY LTD. COPYING OR REPRODUCTION WITHOUT WRITTEN PERMISSION IS PROHIBITED. © 2016

Tel: +44 (0)1985 847200
Fax: +44 (0)1985 847300
Email: info@husseyseatway.com

Itemref	Quantity	Title/Name, designation, material, dimension etc	Article No./Reference		
		Centura Chair			
PRODUCT SPECIFICATION LAYOUT		Date	Drawn by	Checked by	A3 Scale
		07/07/2016	MC		1:15
			Revision	Sheet	
			A	1/1	