



# DECRA CHAIR

Designed by Bluecube Ltd, Decra integrates perfectly with Hussey Seatway's TP, theatre quality retractable platforms. Decra is a high specification, executive level chair that provides correct posture and excellent levels of comfort. The seat and back is manufactured from sturdy, high quality plywood. Decra can be specified in a range of real wood veneers or upholstered in a range of fabrics.

## APPLICATIONS



A highly versatile and durable, beam mounted chair, designed for use in theatres, conference centres, lecture Halls and similar interior spaces.

## FEATURES

- Available in 3 different models
- Multi seat centres from 460mm
- Rail mounting allows equal spacing of seat modules, justifications of rows and replacement of complete seat modules in seconds
- Slim profile for wide, safe row access
- Spring activated tipping with a 'soft action' fully enclosed mechanism
- Available with or without auto tip armrests
- Designed for use on telescopic platforms with at least 260mm row rise and 850mm row depth
- Fixed & Flat Floor versions are available to compliment retractable installations

## OPTIONS

- Seat numbers and row letters
- Cup holders
- Auto tip polymer or upholstered armrests
- Integral folding Scribe writing tablets
- Gas struts to dampen the folding action

## FINISHES

- Fabric from the Xtreme range by Camira
- Customers own choice of fabric can be specified
- Timber Stained Mahogany, Walnut or Birch seat & back panels
- Metalwork, either satin black or matt silver

## TECHNICAL

CAD drawings available on request.  
DECRA is certified to BS EN 12727 - test level 4.  
DECRA upholstery meets BS 5852: 1990 (crib 5)

Stained Mahogany      Walnut      Birch

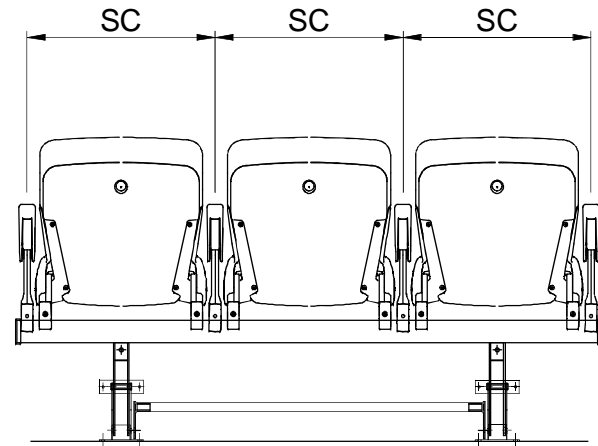
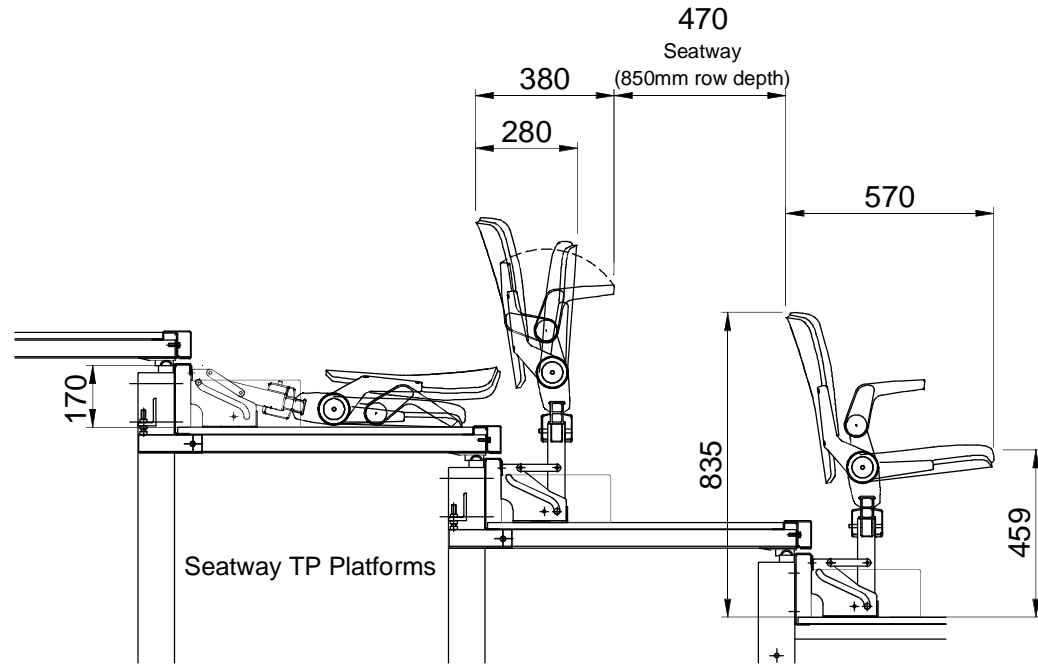
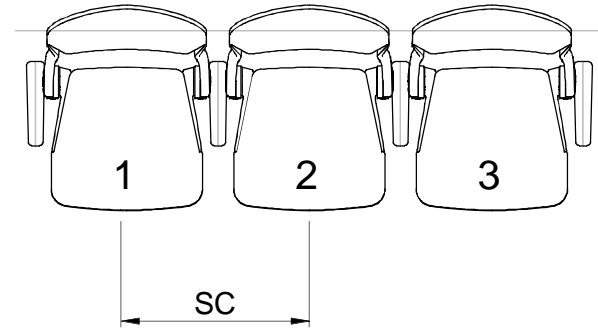


RevNo	Revision note	Date	Signature	Checked
		xx/xx/xx		

	No Arms	Arms	Scribe
Min Seat Centre (SC)	460mm	490mm	530mm
Min Row Rise	280mm	280mm	280mm

**Strength & Stability**  
The chair satisfies the requirements of EN 12727:2000.

**Fire Retardency**  
The fabric and foam comply with BS 5852:1990 (Source 0, 1, and 5). Other codes or European Standards can be satisfied as required.



GENERAL TOLERANCE  
± 1 mm



THIS DRAWING IS THE PROPERTY AND COPYRIGHT OF HUSSEY SEATWAY LTD. COPYING OR REPRODUCTION WITHOUT WRITTEN PERMISSION IS PROHIBITED. ©2014

Tel: +44 (0)1985 847200  
Fax: +44 (0)1985 847300  
Email: info@husseyseatway.com

Itemref	Quantity	Title/Name, designation, material, dimension etc	Article No./Reference			
		<b>Decra Chair</b>				
<b>PRODUCT SPECIFICATION LAYOUT</b>			Date	Drawn by	Checked by	A3 Scale
			30/04/2014	LS		1:15
			P00_____	Revision	Sheet	
			A	1/1		