



GALLERY 3

The Gallery 3 Chair features a refined design with exceptional level of detailing. The chair has been developed specifically for use with Hussey Seatway's TP, theatre quality, retractable platform systems. Available in varying widths, with or without armrests and a variety of upholstery finishes. Gallery 3 features a slim and elegant profile making it an optimum solution for a wide range of auditorium seating arrangements.

APPLICATIONS

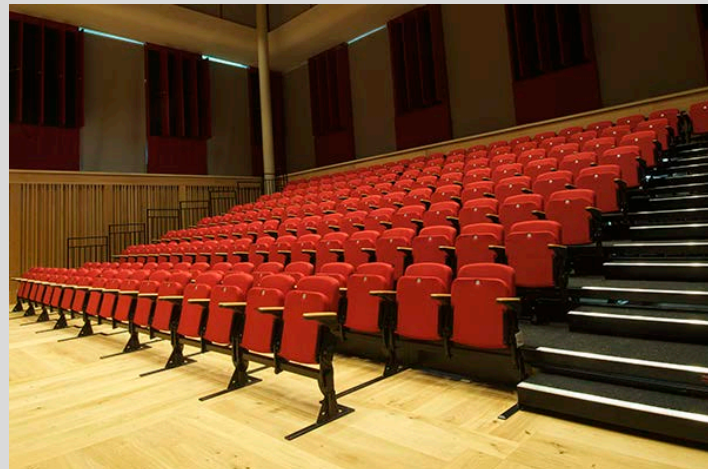
An elegant and versatile, beam mounted chair, designed for use in theatres, multi-purpose halls, schools and colleges.

FEATURES

- 460, 480, 500, 520 & 540mm seat centres
- Preformed plywood, seat and back structure with fully contoured upholstery
- Cast aluminium seat posts
- Spring activated tipping with a fully enclosed stop mechanism
- Available with or without armrests
- Designed for use on retractable platforms with at least 260mm row rise and 850mm row depth
- Tread Fixed & Flat Floor versions are available to compliment fold down chair installations

FINISHES

- Fabric from the Xtreme range by Camira
- Customers own choice of fabric can also be specified
- Metalwork: Satin black powder coat
- Armrests: Polymer, wood or upholstered



TECHNICAL

For all technical details, please see the reverse side of this specification sheet. CAD drawings available on request. Gallery 3 upholstery meets BS 5852: 1990 (crib 5).

OPTIONS

- Seat numbers and row letters
- Custom seat centres up to 560mm
- Gas struts to dampen the folding action
- Cupholders
- Seat frame colour to co-ordinate with chosen fabric
- Show wood seat and back panels

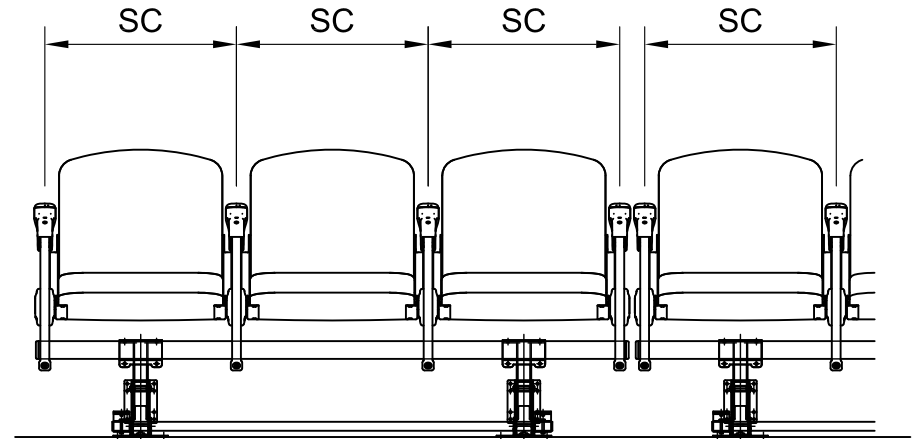
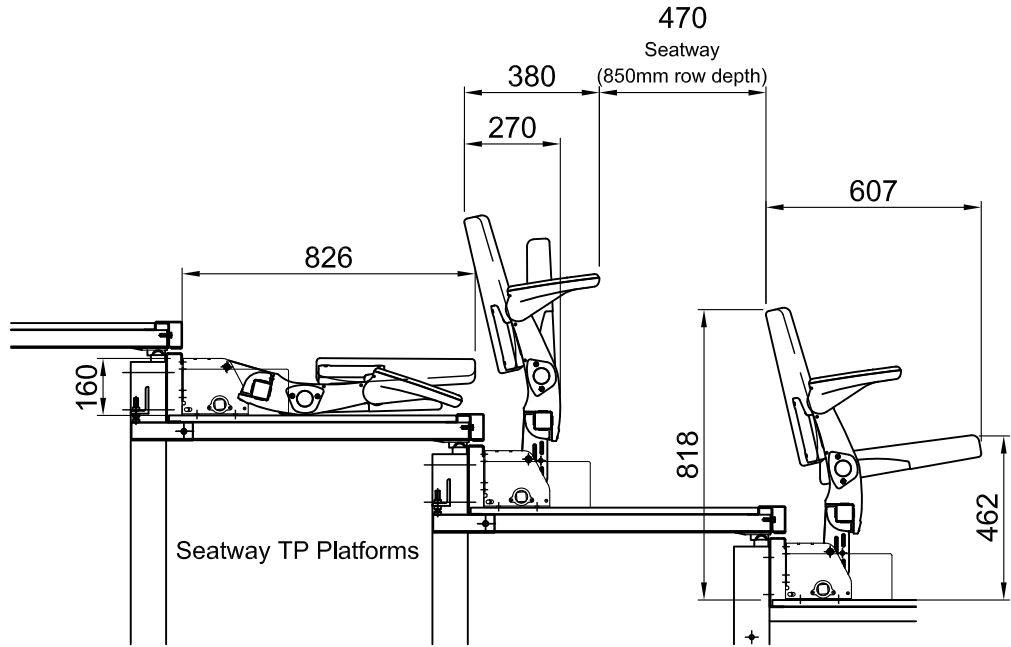
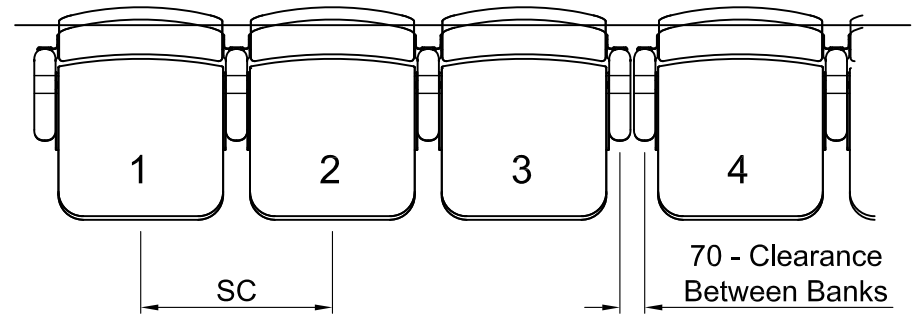


RevNo	Revision note	Date	Signature	Checked
		xx/xx/xx		

	No Arms	Arms
Min Seat Centre (SC)	460mm	490mm
Min Row Rise	260mm	260mm

Strength & Stability
The chair satisfies the requirements of EN 12727:2000.

Fire Retardancy
The fabric and foam comply with BS 5852:1990 (Source 0, 1, and 5). Other codes or European Standards can be satisfied as required.



GENERAL TOLERANCE
± 1 mm

THIS DRAWING IS THE PROPERTY AND COPYRIGHT OF HUSSEY SEATWAY LTD. COPYING OR REPRODUCTION WITHOUT WRITTEN PERMISSION IS PROHIBITED. ©2015

Tel: +44 (0)1985 847200
Fax: +44 (0)1985 847300
Email: info@husseyseatway.com

Itemref	Quantity	Title/Name, designation, material, dimension etc	Article No./Reference
Gallery 3 Chair			
PRODUCT SPECIFICATION LAYOUT		Date 17/07/2015	Drawn by JCE
		Checked by	A3 Scale 1:15
		P00	Revision A
			Sheet 1/1