



GALLERY EXTRA

A high specification, luxurious version of our Gallery 2 chair. Ergonomically designed featuring a fully contoured backrest with thick foam for additional comfort during longer events. Gallery Extra is available in varying widths, with or without armrests and a variety of finishes. The seat brackets are concealed on the side of the chair creating improving aesthetics. The tipping mechanism are enclosed for safety purposes, a standard feature on all Hussey Seatway chair products.

APPLICATIONS

A highly versatile and durable, beam mounted chair, designed for use on Hussey Seatway TP retractable systems in theatres, multi-purpose halls, conference centres, and school auditoriums.

FEATURES

- 460-550mm seat centres with all chairs manufactured to order
- Preformed plywood, seat and back structure with fully contoured upholstery
- Slim profile for wide, safe row access
- Spring activated tipping with a fully enclosed stop mechanism
- Available with or without armrests
- Designed for use on TP telescopic platforms with at least 320mm row rise and 850mm row depth
- Tread Fixed & Flat Floor versions are available

OPTIONS

- Seat numbers and row letters
- Seat frame colour to co-ordinate with chosen fabric
- Gas struts to dampen the folding action
- Donor Plates
- Show wood seat and backrest panels

FINISHES

- Fabric from the Xtreme range by Camira
- Customers own choice of fabric can also be specified
- Metalwork: Satin black powder coating
- Armrests: Polymer, wood or upholstered

TECHNICAL

For all technical details, please see the reverse side of this specification sheet. CAD drawings available on request. Gallery Extra upholstery meets BS 5852: 1990 (crib 5).

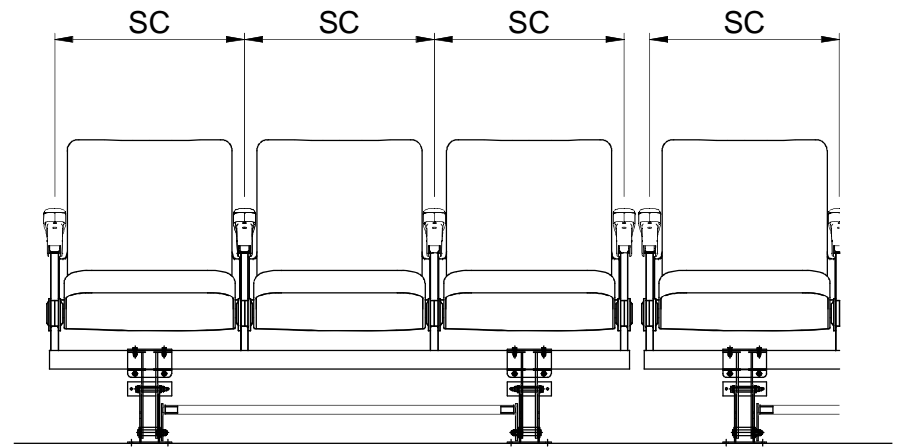
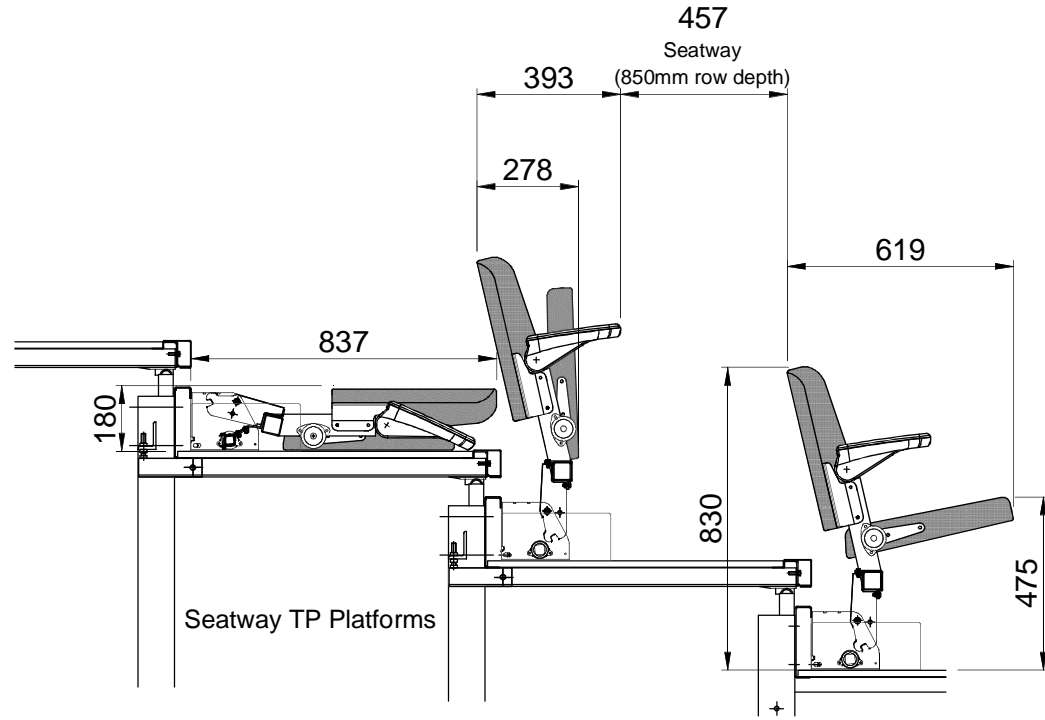
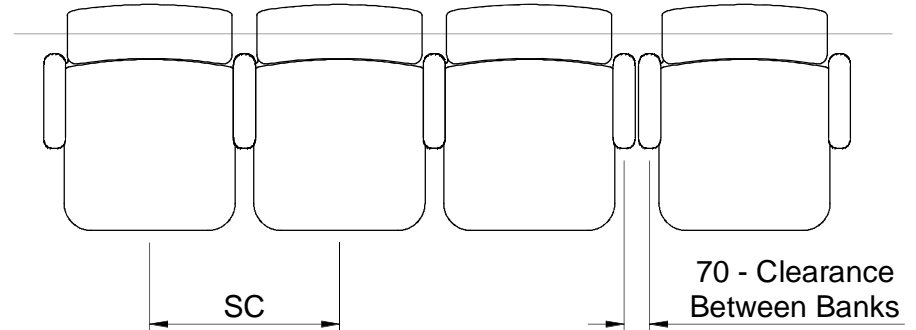


RevNo	Revision note	Date	Signature	Checked
		xx/xx/xx		

	No Arms	Arms
Min Seat Centre (SC)	490mm	490mm
Min Row Rise	300mm	300mm

Strength & Stability
The chair satisfies the requirements of EN 12727:2000.

Fire Retardency
The fabric and foam comply with BS 5852:1990 (Source 0, 1, and 5). Other codes or European Standards can be satisfied as required.



GENERAL TOLERANCE
± 1 mm



THIS DRAWING IS THE PROPERTY AND COPYRIGHT OF HUSSEY SEATWAY LTD. COPYING OR REPRODUCTION WITHOUT WRITTEN PERMISSION IS PROHIBITED. ©2014

Tel: +44 (0)1985 847200
Fax: +44 (0)1985 847300
Email: info@husseyseatway.com

Itemref	Quantity	Title/Name, designation, material, dimension etc	Article No./Reference	
		Gallery Extra Chair		
PRODUCT SPECIFICATION LAYOUT		Date 28/07/2014	Drawn by LS	Checked by
		P00_____		Revision A
				A3 Scale 1:15 Sheet 1/1