

INTEGRA

Integra is modern, stylish chair that offers excellent levels of comfort. Available in 2 module widths, that in conjunction with the rail based design allow variable seat spacing's to be achieved, with or without armrests. The ergonomically designed polymer mouldings can be upgraded with the addition of upholstered pads, these can easily and economically be replaced ensuring Integra is a truly low maintenance and long lasting product.

APPLICATIONS

A highly versatile and durable, beam mounted chair, designed for use in schools, colleges, sports and multi-purpose halls.

FEATURES

- Multi seat centres from 460mm
- Rail mounting allows equal spacing of seat modules, justification of rows and replacement of complete seat modules in seconds
- Available with or without auto tip armrests
- Upholstered pads can be replaced quickly and economically
- Spring activated tipping with a 'soft action', fully enclosed stop mechanism that cannot trap fingers or clothing
- Designed for use on telescopic platforms with at least 244mm row rise and 838mm row depth
- Fixed & Flat Floor versions also available



OPTIONS

- Seat numbers and row letters
- Auto-tip polymer or upholstered armrests
- Cup holders
- Integral folding Scribe writing tablets
- Gas struts to dampen the folding action
- Coloured polymer mouldings



FINISHES

- Seat/back: Black (RAL 9004) polymer mouldings
- Fabric from the Bradbury Flamblend range
- Customers own choice of fabric can also be specified
- Armrests: polymer or upholstered

TECHNICAL

CAD drawings Available on request.

INTEGRA 2 is certified to BS EN 12727 - test level 4.
INTEGRA 2 upholstery meets BS 5852: 1990 (crib 5).

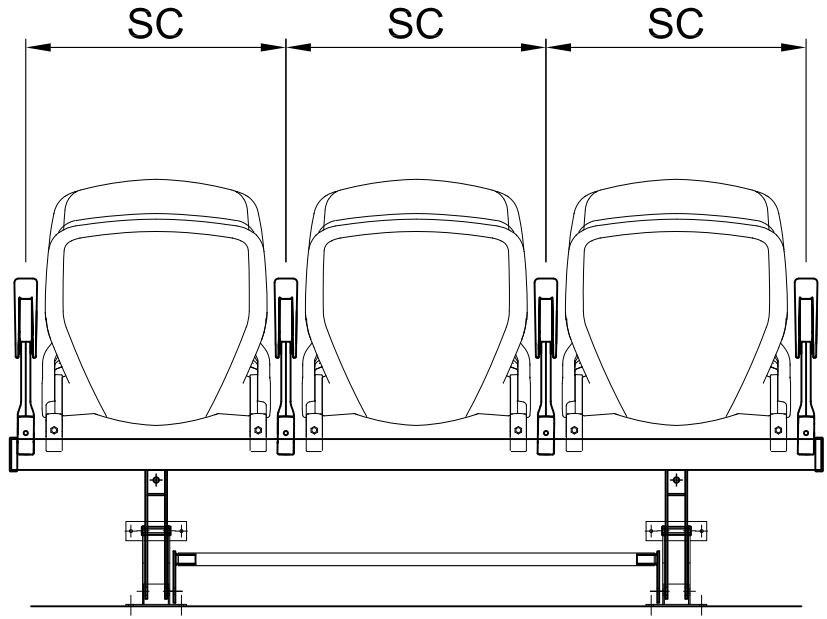
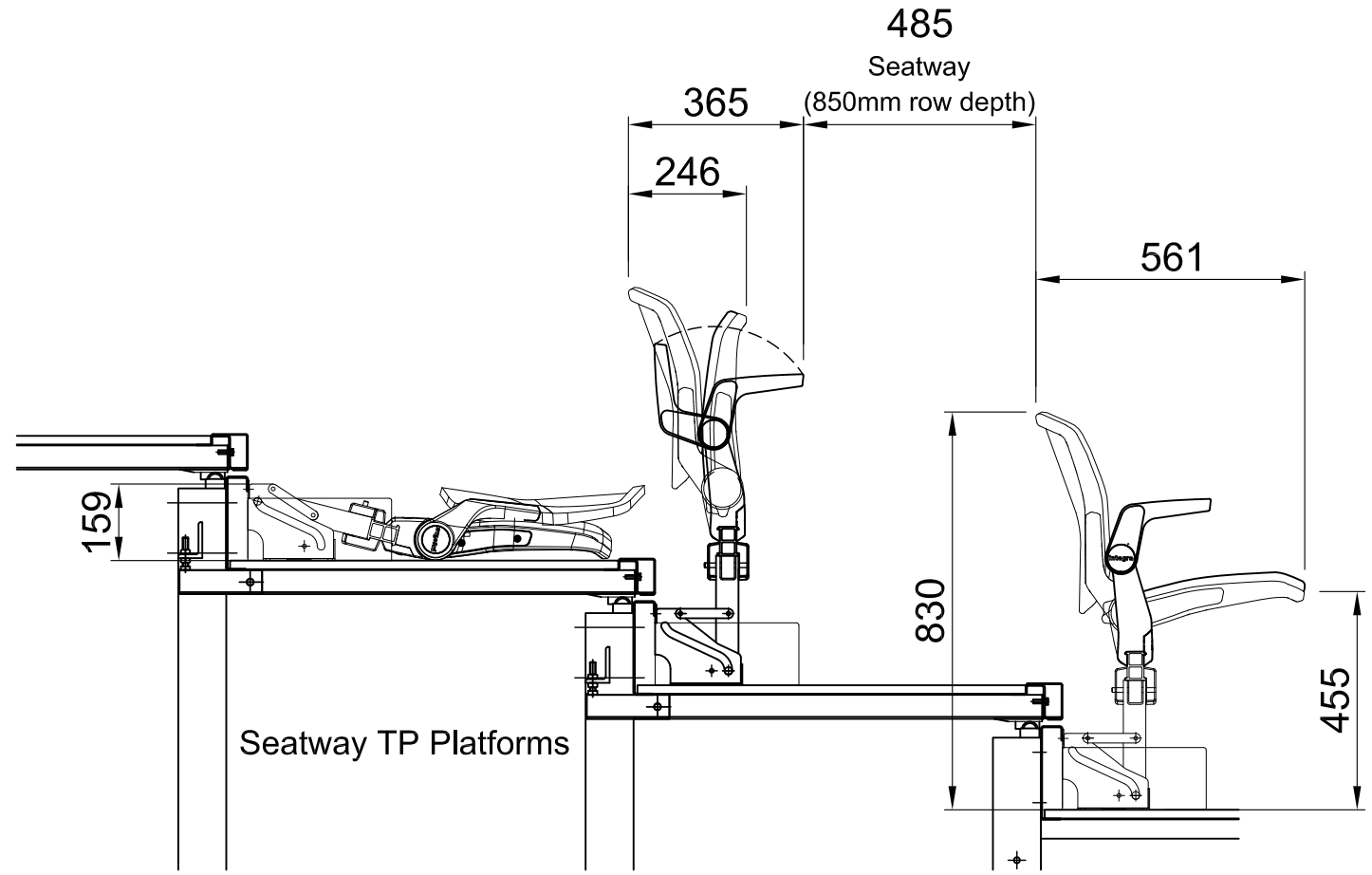
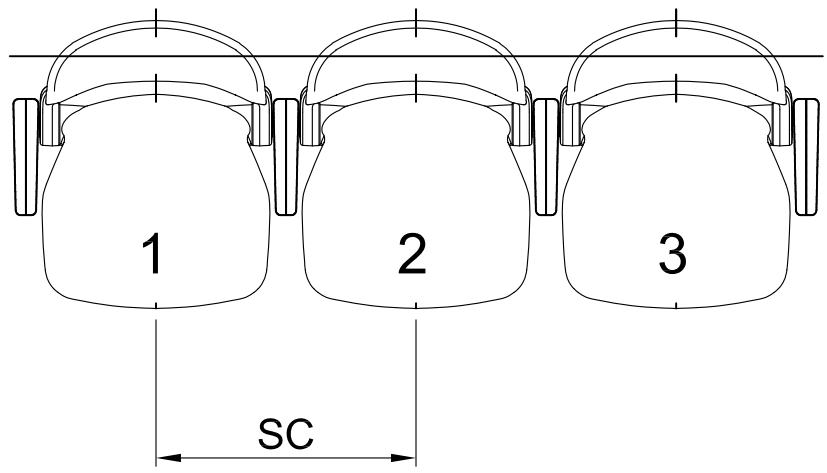


RevNo	Revision note	Date	Signature	Checked
.	.	xx/xx/xx	.	.

	No Arms	Arms	Scribe
Min Seat Centre (SC)	460mm	490mm	535mm
Min Row Rise	245mm	245mm	245mm

Strength & Stability
The chair satisfies the requirements of EN 12727:2000.

Fire Retardency
The fabric and foam comply with BS 5852:1990 (Source 0, 1, and 5). Other codes or European Standards can be satisfied as required.



GENERAL TOLERANCE
± 1 mm

THIS DRAWING IS THE PROPERTY AND COPYRIGHT OF HUSSEY SEATWAY LTD. COPYING OR REPRODUCTION WITHOUT WRITTEN PERMISSION IS PROHIBITED. © 2014

Tel: +44 (0)1985 847200
Fax: +44 (0)1985 847300
Email: info@husseyseatway.com

Itemref	Quantity	Title/Name, designation, material, dimension etc	Article No./Reference	
		Integra Chair		
PRODUCT SPECIFICATION LAYOUT			Date	30/04/2014
			Drawn by	LS
			Checked by	
			Revision	A
			Sheet	1/1