



## SPORTS BENCH

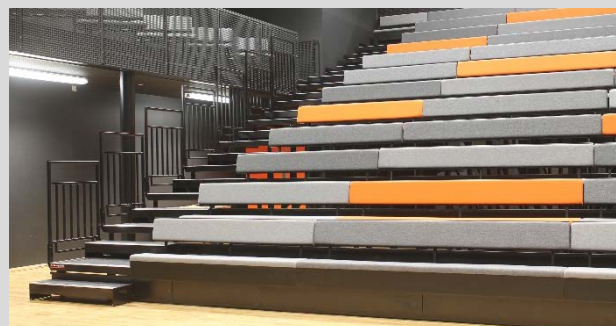
A flexible and economic alternative to individual chairs, the Sports Bench features an upholstered seat and backrest with an integral front fascia board. Designed for use on our retractable systems or fixed tiers, it's simple folding action allows the backrest to be folded effortlessly onto the platform prior to retraction. The flexible configuration of the benches allows optimum seating capacity to be achieved.

### APPLICATIONS

The Sports Bench provides comfortable seating with the flexibility to accommodate varying audience capacities. The robust design makes the product a great solution for sports and school applications.

### FEATURES

- Seat centres from 450mm
- Preformed plywood, bench and back structure with generous foam and fully upholstered finish
- Manual folding, bench backrest for retractable applications
- Steel framed backrest that prevents 'foot' damage from the occupants on the row behind
- Integrated front fascia board
- Suitable for use on Maxam Plus or Seatway TP platforms with a minimum 245mm row rise and a 838mm row depth
- A tread mounted, fixed version is also available



### FINISHES

- Fabric from the Xtreme range by Camira
- Customers own choice of fabric can be specified
- Metalwork: Satin black powder coat
- Laminate or painted fascia



### OPTIONS

- Available without backrest (on 650mm or greater row depth)
- Seat frame to co-ordinate with chosen fabric
- Seat numbering and row letters
- Matching aisle infill panels

### TECHNICAL

For all technical details, please see the reverse side of this specification sheet. General brochure and CAD drawings are available on request. Sports Bench upholstery meets BS 5852: 1990 (crib 5).

RevNo	Revision note	Date	Signature	Checked
B	Updated component parts	06/06/2015	MC	.

	Minimum	Maximum
Seat Centre (SC)	450mm	N/A
Row Rise	245mm	340mm*

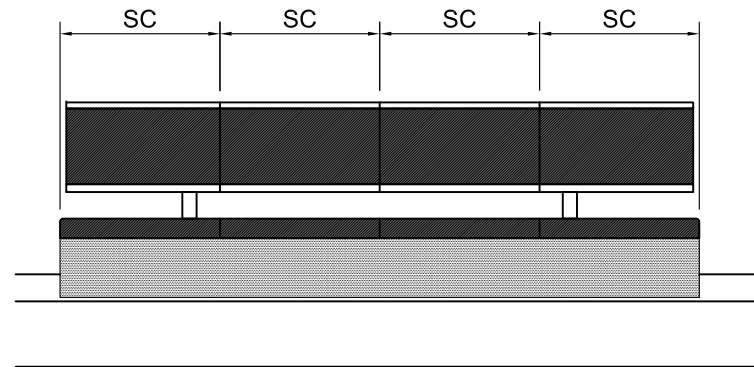
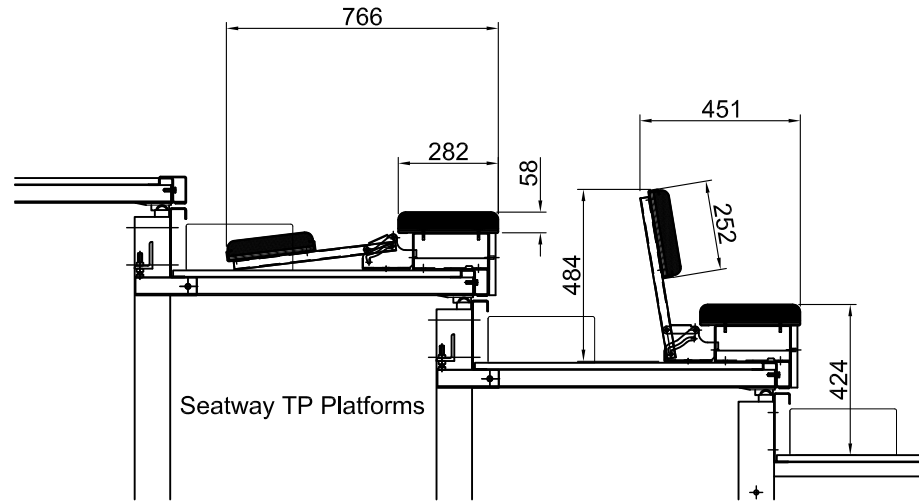
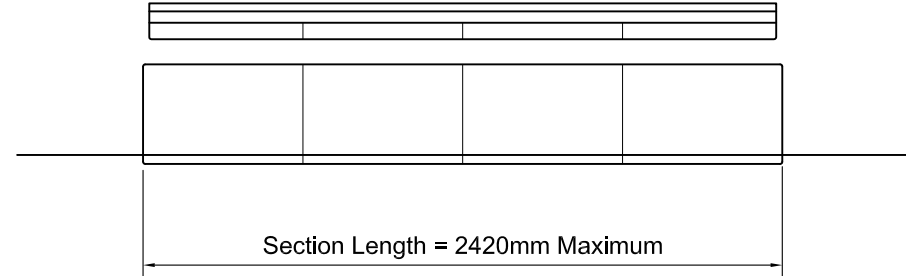
\*Custom bench available for rises exceeding 340mm

**Strength & Stability**

The chair satisfies the requirements of EN 12727:2000.

**Fire Retardency**

The fabric and foam comply with BS 5852:1990 (Source 0, 1, and 5). Other codes or European Standards can be satisfied as required.



GENERAL TOLERANCE  
± 1 mm

**husseyseatway**  
PUBLIC SEATING SYSTEMS

THIS DRAWING IS THE PROPERTY AND COPYRIGHT OF HUSSEY SEATWAY LTD. COPYING OR REPRODUCTION WITHOUT WRITTEN PERMISSION IS PROHIBITED. © 2014

Tel: +44 (0)1985 847200  
Fax: +44 (0)1985 847300  
Email: info@husseyseatway.com

Itemref	Quantity	Title/Name, designation, material, dimension etc	Article No./Reference			
		<b>Sports bench</b>				
		<b>PRODUCT SPECIFICATION LAYOUT</b>	Date 30/04/2014	Drawn by LS	Checked by	A3 Scale 1:15
				Revision B	Sheet 1/1	