

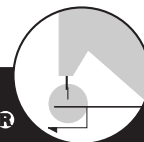
COMPENSATING FEET, ERITASOPAINIJALAT

Attachments

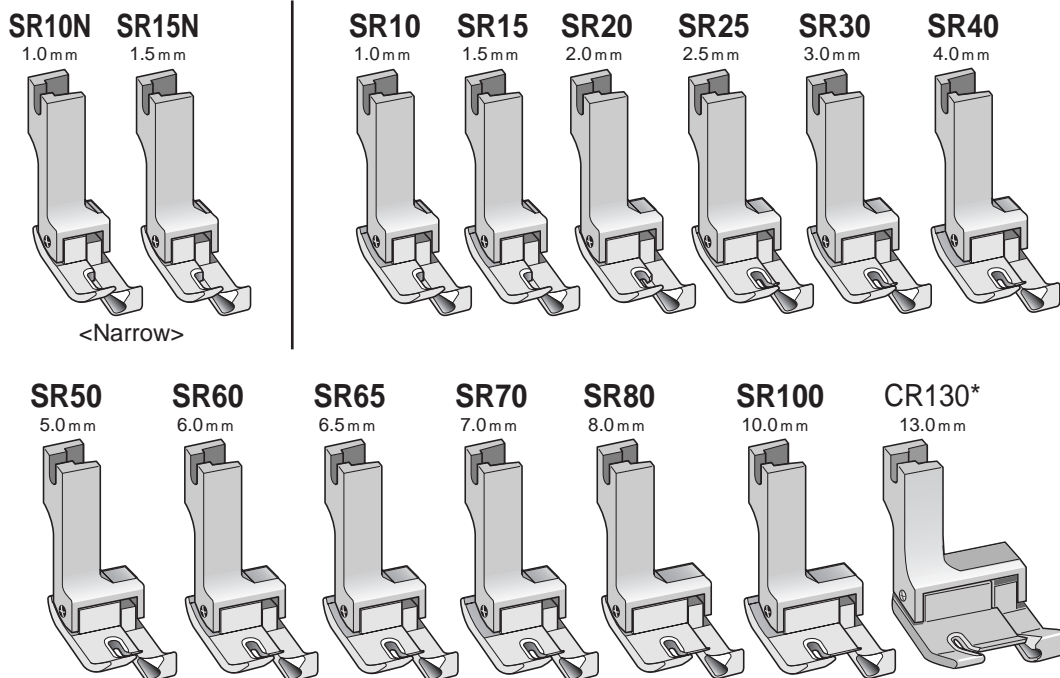
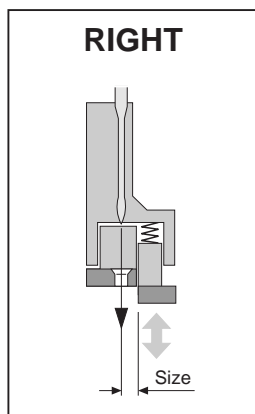
PIEDS COMPENSÈS
PIES PRENSATELA COMPENSANDOS

AUSGLEICHSGELENKFÜSSE
补充压脚

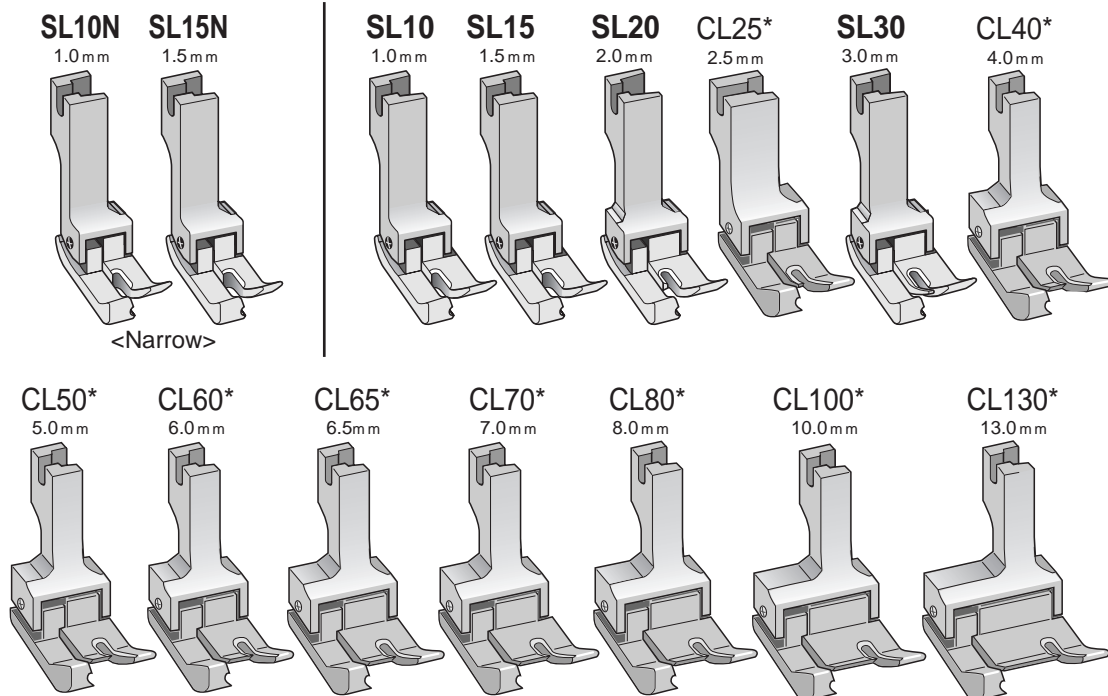
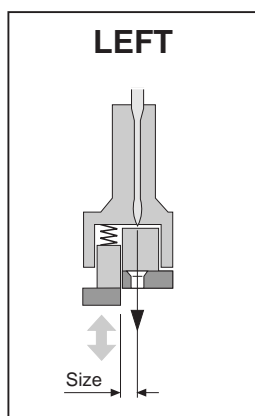
SUISEI®



SR10(N)~CR130 Compensating Feet <Right> ERITASOPAINIJALKA (OIKEA)



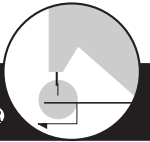
SL10(N)~CL130 Compensating Feet <Left> ERITASOPAINIJALKA (VASEN)



- The replacement screw and spring for [SR..., SL...] type are different from [CR..., CL...] type's, please refer next page.
- Guide shoe has two springs B20 and **foot shoe has one** for [SR..., SL...] type feet.
- It may get good result for some kind of the sewing that the spring B20 on **foot shoe** is removed.

COMPENSATING FEET, ERITASOPAININJALAT

Attachments

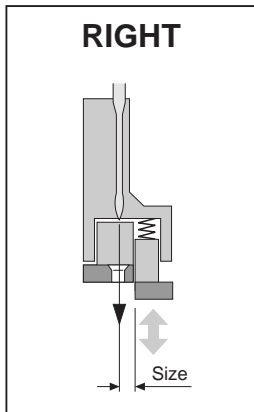


PIEDS COMPENSÉS
PIES PRENSATELA COMPENSANDOS

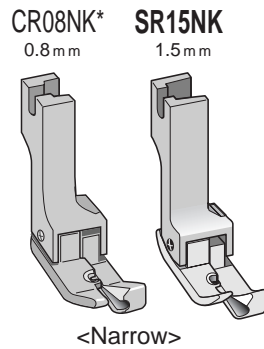
AUSGLEICHSGELENKFÜSSE
补充压脚

SUISEI®

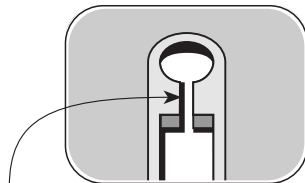
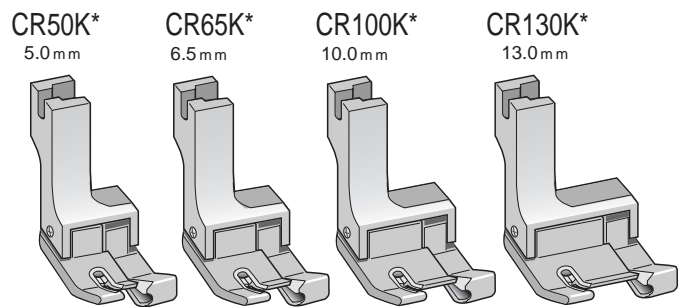
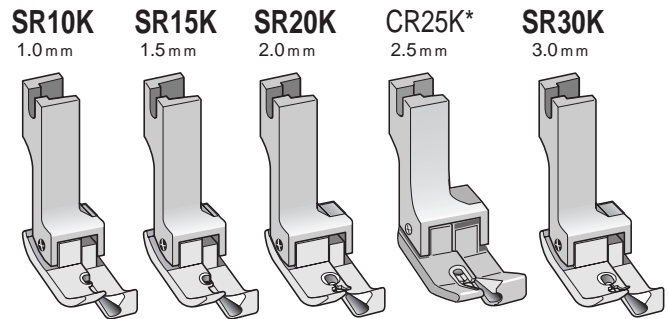
CR08(N)K~CR130K Compensating Feet for Knit <Right> NEULEILLE, OIKEA



- For knit & thin materials.
-

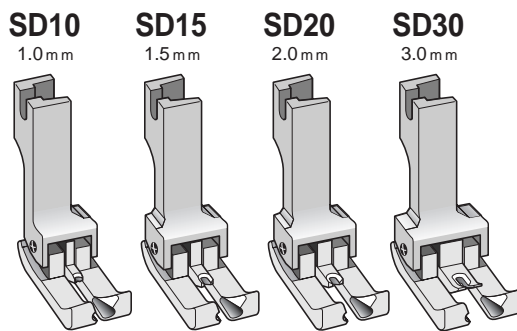
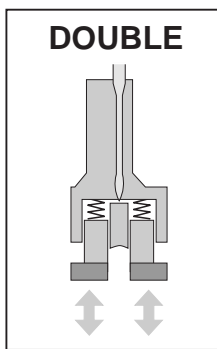


<Narrow>



Prevents lifting fabric with the needle.

SD10~SD30 Compensating Feet <Double> ERITASOPAININJALKA, KAKSOIS



Replacement spring and screws for "SR,SL,SD" VAIHTO JOUSI JA RUUVIT

| | | | |
|--------------|--|---------|--------------------------------------|
| B20 | | ø2.0 mm | All Feet for "SR, SL, SD" type |
| CPS10 | | 10.8 " | 10(N), 15(N), SD10 S955, SC40~105 |
| CPS13 | | 13.3 " | 20, 25, 30, 40 SD15, SD20 |
| CPS16 | | 16.3 " | 50, 60, 65, 70 SD30 |
| CPS19 | | 19.3 " | 80, 100 |

Replacement spring and screws for "CR,CL,CD" VAIHTO JOUSI JA RUUVIT

| | | | | | | | |
|------------|--|---------|--|-----------|--|---------|--------------|
| B25 | | ø2.5 mm | All Feet for "CR, CL, CD" type | C4 | | 15.5 mm | 40, 50, CD20 |
| C1 | | 10.0 " | 08N(K), 10N(K), 15N(K) P952, P953 | C5 | | 17.5 " | 60, 65, 70 |
| C02 | | 12.5 " | CD00 | C6 | | 19.0 " | 80 |
| C2 | | 13.5 " | 08, 10, 15, 20, 25, 30 CD10, CHN, CHW, CB | C7 | | 20.5 " | 100 |
| C3 | | 14.5 " | CD15 | C8 | | 24.0 " | 130 |

Inches to Millimeters

| Inches | MM | Recommended Numbers |
|--------|--------|---------------------|
| 1/32 | → 0.8 | → 10 |
| 1/16 | → 1.6 | → 15 |
| 3/32 | → 2.4 | → 25 |
| 1/8 | → 3.2 | → 30 |
| 5/32 | → 4.0 | → 40 |
| 3/16 | → 4.8 | → 50 |
| 1/4 | → 6.4 | → 65 |
| 5/16 | → 8.0 | → 80 |
| 3/8 | → 9.5 | → 100 |
| 1/2 | → 12.7 | → 130 |