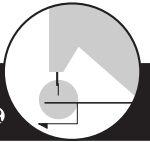


RIGHT ANGLE BIAS BINDERS, SUORAKULMA NAUHANPALLISTAJAT

Attachments



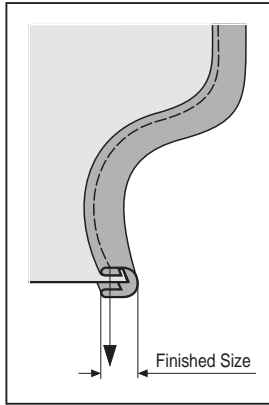
BORDEUR ANGULAIRE
RIBETADOR

DOPPEL-SCHRÄGBANDEINFASSER
正角滚边器

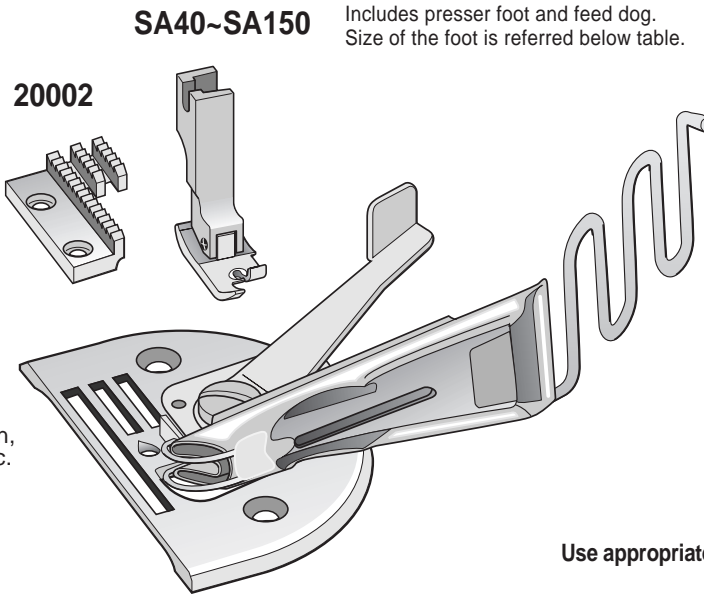
SUISEI®

A10S- 16~50

Right Angle Bias Binder <with presser foot and feed dog>
SUORAKULMA NAUHANPALLISTAJA



- For inside curving operation, like neck-line, arm-hole, etc.



SA40~SA150

Includes presser foot and feed dog.
Size of the foot is referred below table.

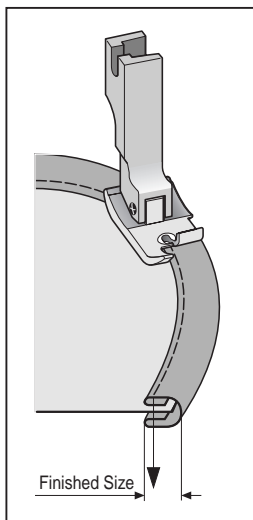
20002

Bias Tape Sizes		Finished Sizes
16 mm	5/8 "	4.0 mm
18 "	11/16 "	4.5 "
20 "	3/4 "	5.0 "
22 "	7/8 "	5.5 "
24 "	15/16 "	6.0 "
26 "	1 "	6.5 "
28 "	1 1/8 "	7.0 "
30 "	1 3/16 "	8.0 "
32 "	1 1/4 "	8.5 "
36 "	1 3/8 "	10.0 "
40 "	1 1/2 "	11.5 "
45 "	1 3/4 "	13.0 "
50 "	2 "	16.0 "

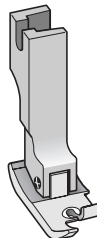
Use appropriate width of bias considering elasticity.

- The contents in above table may be different from fact and depend on material thickness or elasticity of tape.

Feet for "A10S-" PAININJALKA A10S:LLE

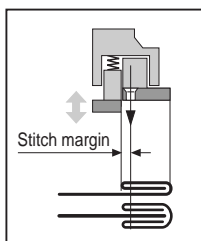


SA...

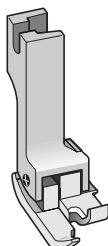


SA...	A10S Bias Tape Sizes
SA40	16
SA45	18, 20
SA55	22, 24
SA65	26, 28
SA75	30, 32
SA85	—
SA95	36
SA105	40
SA130	45
SA150	50
SA200	—
SA250	—

Ref. → **P.23**



SC...

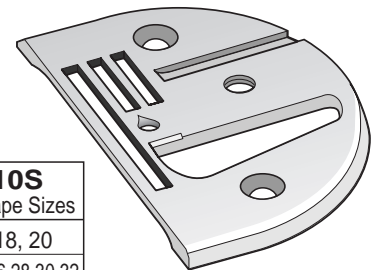


SC...	Stitch margin	A10S Bias Tape Sizes
SC40	0.8 mm	16
SC45	0.8	18, 20
SC55	0.8	22, 24
SC65	1.0	26, 28
SC75	1.0	30, 32
SC85	1.2	—
SC95	1.2	36
SC105	1.2	40, 45, 50

Ref. → **P.24**

Needle Plates for "A10S-" PISTOLEVY

A10N-... Needle Plate for A10S



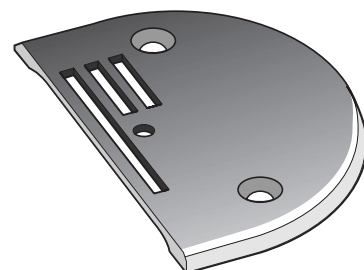
A10N-.....	A10S Bias Tape Sizes
A10N-160 SUISEI-1	16, 18, 20
A10N-222 SUISEI-2	22, 24, 26, 28, 30, 32
A10N-360 SUISEI-3	36, 40
A10N-450 SUISEI-4	45, 50

Stamp mark

HUOM. EIVÄT SOVI VANHALLE
A10-MALLILLE

These needle plates are not interchangeable with old type "A10-".

12442 Plain Needle Plate for 20002



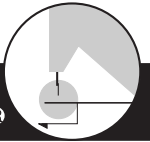
RIGHT ANGLE BIAS BINDERS, SUORAKULMA NAUHANPALLISTAJA

Attachments

BORDEUR ANGULAIRE
RIBETADOR

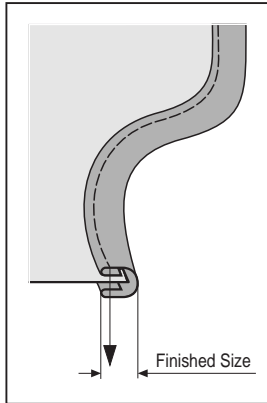
DOPPEL-SCHRÄGBANDEINFASSER
正角滚边器

SUISEI®

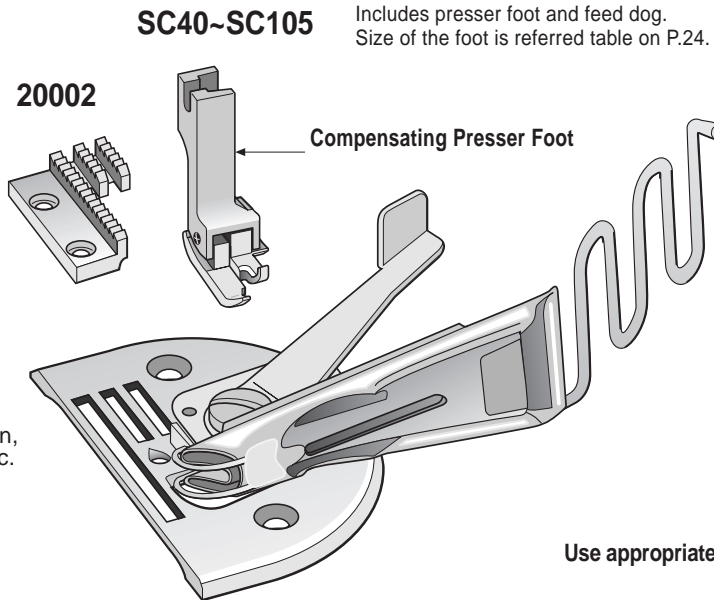


A10C- 16~50

Right Angle Bias Binder <with compensating presser foot and feed dog>
SUORAKULMA NAUHANPALLISTAJA



- For inside curving operation, like neck-line, arm-hole, etc.



Bias Tape Sizes		Finished Sizes
16 mm	5/8 "	4.0 mm
18 "	11/16 "	4.5 "
20 "	3/4 "	5.0 "
22 "	7/8 "	5.5 "
24 "	15/16 "	6.0 "
26 "	1 "	6.5 "
28 "	1 1/8 "	7.0 "
30 "	1 3/16 "	8.0 "
32 "	1 1/4 "	8.5 "
36 "	1 3/8 "	10.0 "
40 "	1 1/2 "	11.5 "
45 "	1 3/4 "	13.0 "
50 "	2 "	16.0 "

Use appropriate width of bias considering elasticity.

- Guide shoe of compensating binding foot holds edge of binding, and the finished size is kept much stabler at even inside curving operation.

- The contents in above table may be different from fact and depend on material thickness or elasticity of tape.

A10C

