

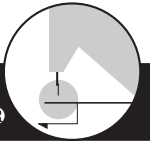
# FOLDERS FOR TWO NEEDLE MACHINE, VYÖLENKKIPALLISTAJAT

Attachments

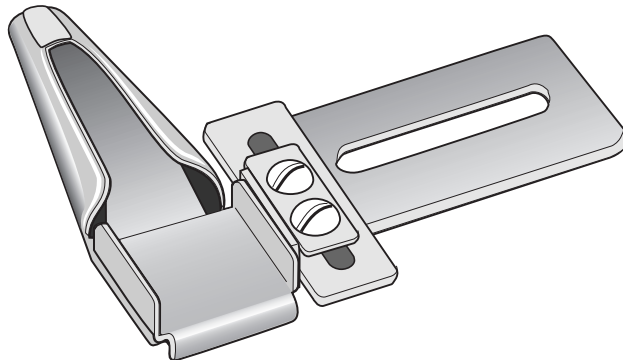
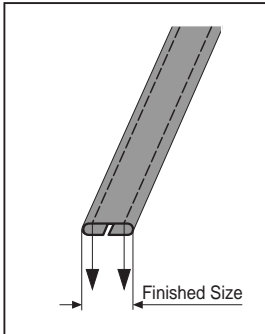
BORDEURS POUR MACHINES NOUÉ DOUBLE AIGUILLES  
RIBETADORES PARA MÁQUINAS DE DOS AGUJAS

BANDEINFASSER FÜR ZWEINADEL-NÄHMASCHINEN  
双针缝纫机用褶边器

**SUISEI**®

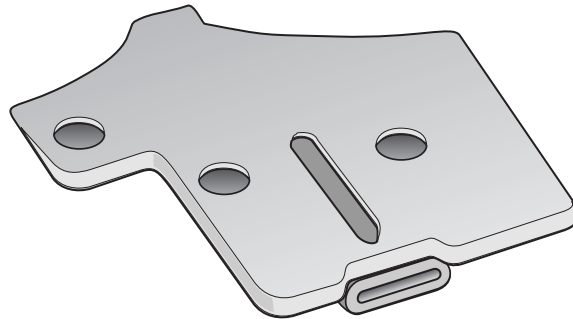
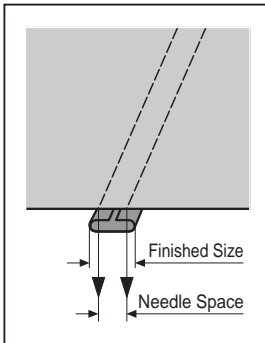


## A36- 6~20 Belt Loop Folder



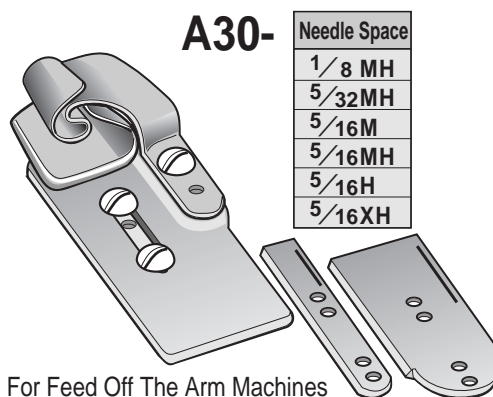
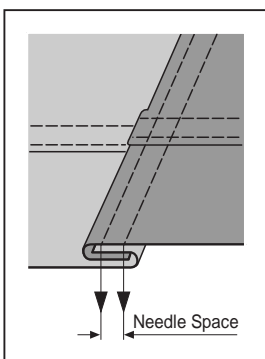
Tape Sizes		Finished Sizes	
12 mm	15/32"	6 mm	1/4"
14 "	9/16"	7 "	9/32"
16 "	5/8"	8 "	5/16"
18 "	23/32"	9 "	11/32"
20 "	25/32"	10 "	13/32"
22 "	7/8"	11 "	7/16"
26 "	1 1/32"	13 "	1/2"
30 "	1 3/16"	15 "	19/32"
36 "	1 13/32"	18 "	23/32"
40 "	1 9/16"	20 "	25/32"

## A41- 1/8~3/8 Stripper With Cover Plate (For Two Needle Machine)



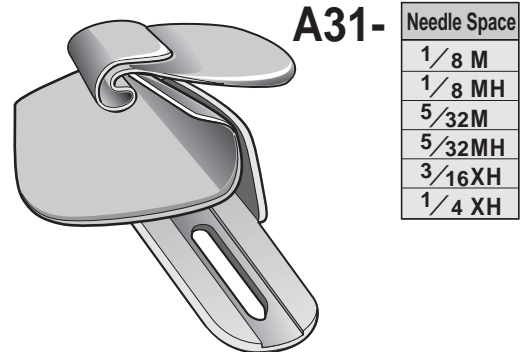
Needle Space	Bias Tape Sizes	Finished Sizes	
1/8"	3.2 mm	15 mm	7 mm
3/16"	4.8 "	18 "	8.5 "
1/4"	6.4 "	20 "	10 "
5/16"	8.0 "	22 "	11 "
3/8"	9.5 "	24 "	12 "

## A30- ..., A31- ..., A34- ... Spring Type Lap Seam Folders



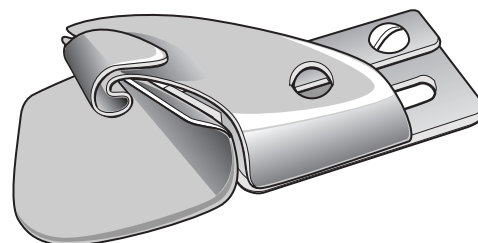
Needle Space
1/8 MH
5/32MH
5/16M
5/16MH
5/16H
5/16XH

For Feed Off The Arm Machines (231, 261, etc.)



Needle Space
1/8 M
1/8 MH
5/32M
5/32MH
3/16XH
1/4 XH

For Two Needle Lock Stitch Machines (112W, 212W, etc.)



Needle Space
1/8 M
1/8 MH
5/32MH
5/32H
3/16MH
1/4 XH

For Two Needle Double Chain Stitch Machines (147, 253, etc.)

• Spring allows cross seams to pass through freely.

• Alphabets after number of needle space indicate the thickness for applicable materials ;

➔ **M** ; Medium  
**MH** ; Medium Heavy  
**H** ; Heavy  
**XH** ; Extra Heavy