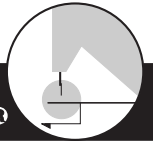


BINDING & TAPE REEL STANDS, NAUHATELINEET

Attachments



DEROULEURS DE BANDE

BANDROLLENHALTER

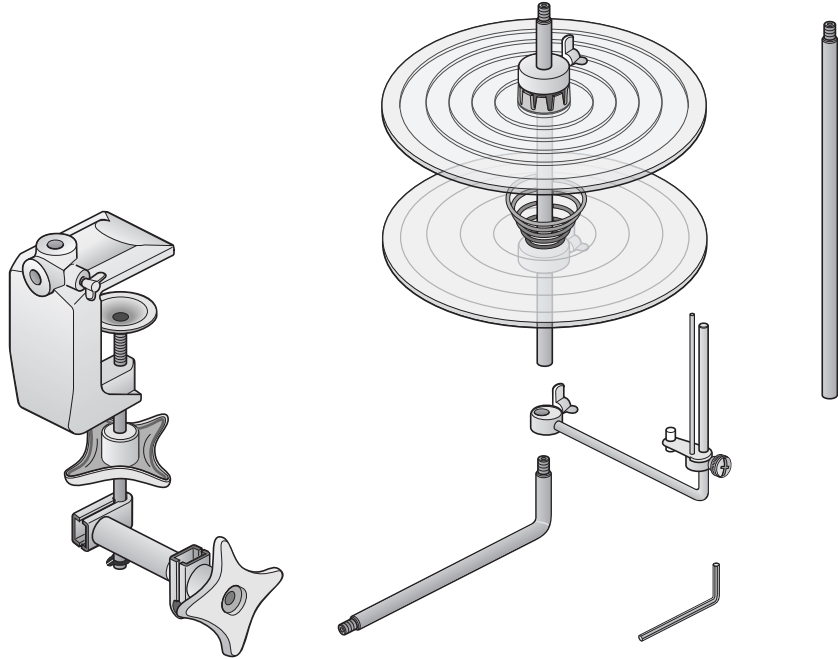
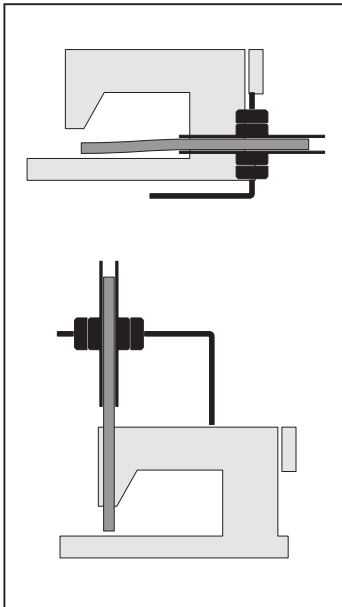
ESTANTES PARA RIBETES CON SUJETADOR DE MESA

帶卷架

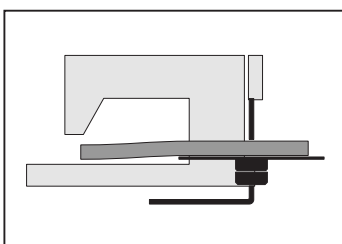
SUISEI®

- Can be set any position for any angle on any table.
- Smooth rotation solves uneven feeding of tape in binding.
- Semitransparent plates show an amount of remaining tape.

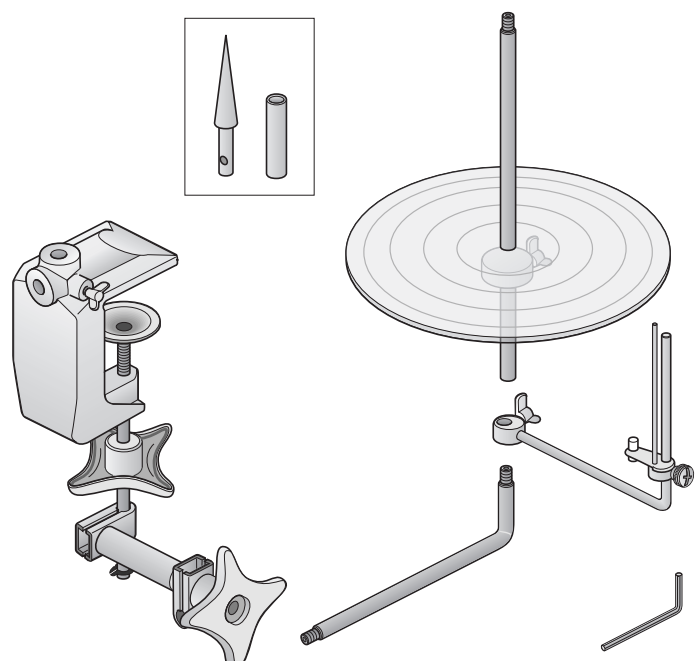
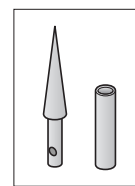
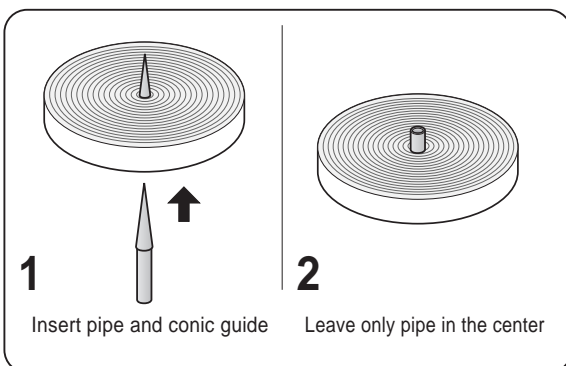
AP50E-S Binding & Tape Reel Stand <Single Type>

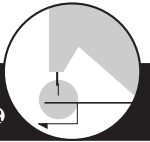


AP50E-N Binding & Tape Reel Stand <Knit Tape Type>

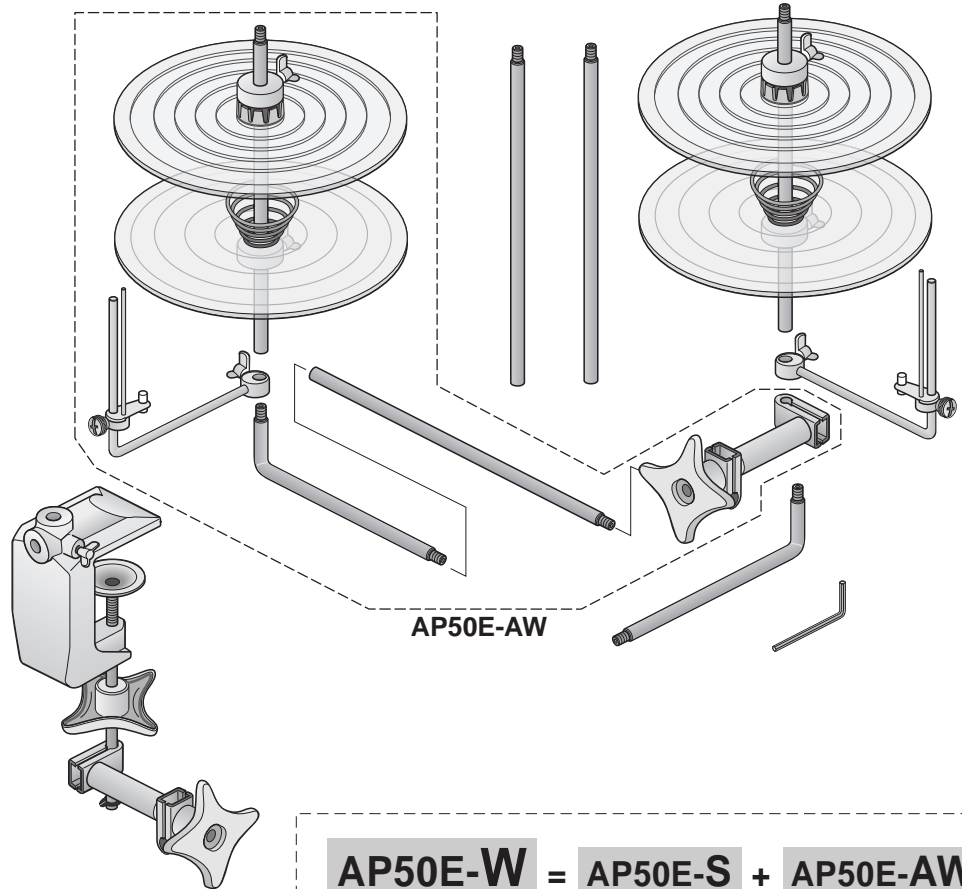
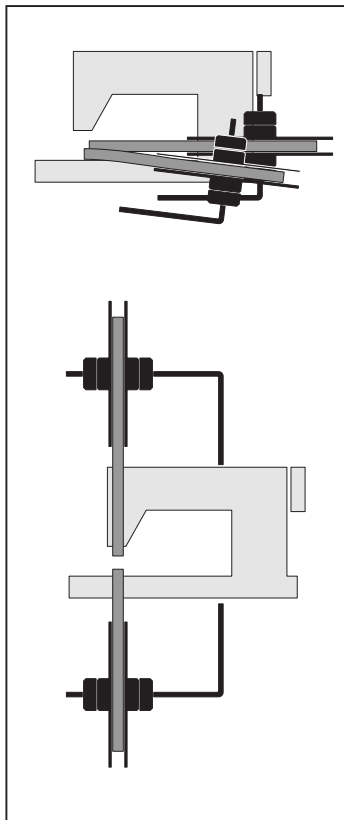


How to set the center pipe into centerless rolled tape



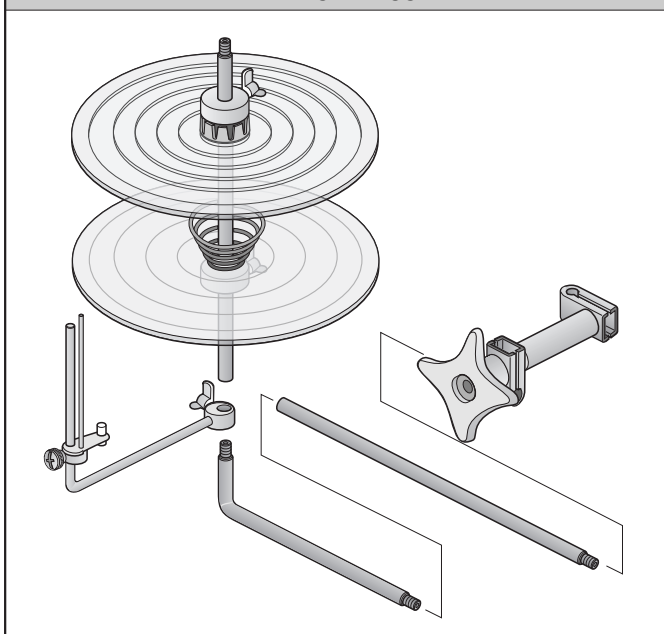


AP50E-W Binding & Tape Reel Stand <Double Type>



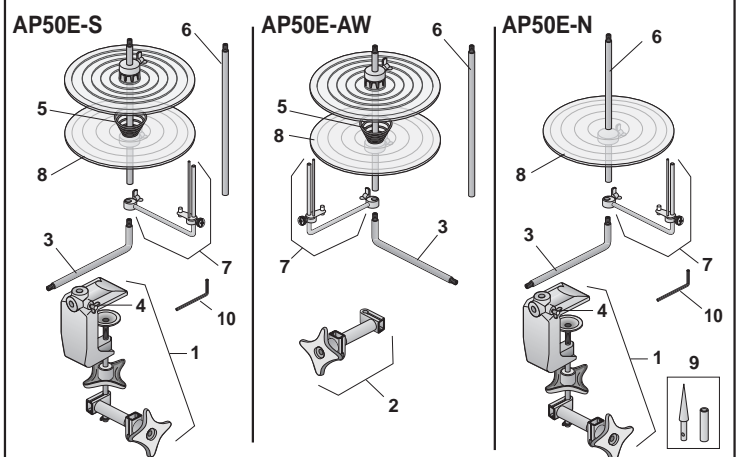
AP50E-W = AP50E-S + AP50E-AW

AP50E-AW < Extra Set for W-Type > LISÄVARUSTE W-TYYPPIIN



If wished, only parts are available as right ; →

Components for AP50E AAP50E OSAT



Ref.	Parts No.	Descriptions	Quantity		
			S	AW	N
1	AP50E-1243E	Vice and joint asm.	1	-	1
2	* 43E	Joint complete	-	1	-
3	* 5E	L rod	1	1	1
4	* 7	Wing screw	(4)	(3)	(3)
5	* 8	Taper spring	1	1	-
6	* 17	Connecting rod	2	2	1
7	* 20	Bias tape guide complete	1	1	1
8	* 23	Plastic plate	2	2	1
9	* 1112	Center pipe & conic guide	-	-	1
10	KTL40	L-wrench (4.0mm)	1	-	1